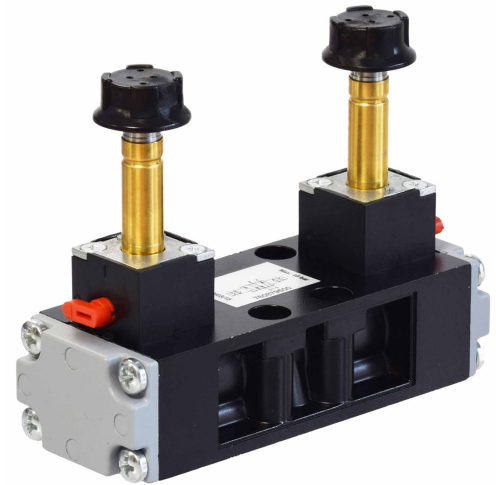


ISO 1 Solenoid Operated Pneumatic Valves

5/3 Way Double Solenoid Control Valve

Technical information

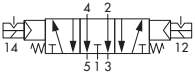
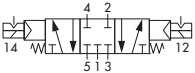
Pressure range:	2.5-10 bar
Temperature range:	-15°C...+50°C
Housing:	Die-cast and lacquered aluminium alloy
Seals:	NBR
Lubricant:	Not required.
Earthing contact:	Part of the standard device.
Operating medium:	5 micron filtered, lubricated or non-lubricated compressed air.



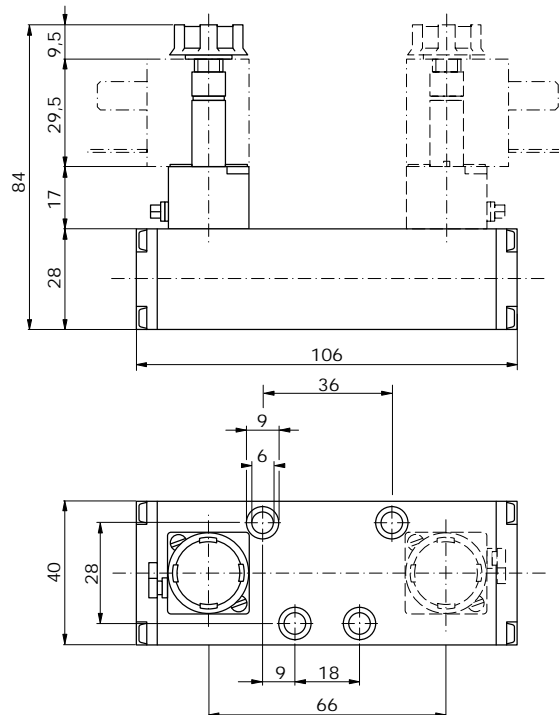
Other information



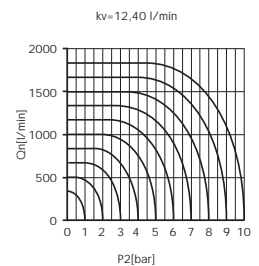
For ATEX certification use suffix code "EX" for example 76.XXX.XX.XX.EX
 Subplates are available for this product, see data sheets M1004 & M1005.
 Order coils & connecting plugs separately, see data sheet M1002.

Symbol	Description	Type	Orifice	Order code
	5/3 way spring return to centre, ports 2 & 4 exhaust	Spool	6mm	76.084.05.00
	5/3 way spring return to centre all ports closed	Spool	6mm	76.084.15.00

Dimensional drawings



Flow rate orifice spool type



Impulse Automation Limited
United Kingdom
Company Registration 665193