

ISO 2 Air Pilot Operated Pneumatic Valves


5/2 Way Double Pilot Control Valve

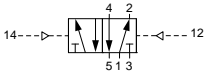
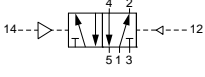
Technical information

Pressure range:	2.5-10 bar
Control pressure:	2.5-10 bar
Temperature range:	-15°C...+50°C
Housing:	Die-cast and lacquered aluminium alloy
Seals:	NBR
Lubricant:	Not required.
Operating medium:	5 micron filtered, lubricated or non-lubricated compressed air.

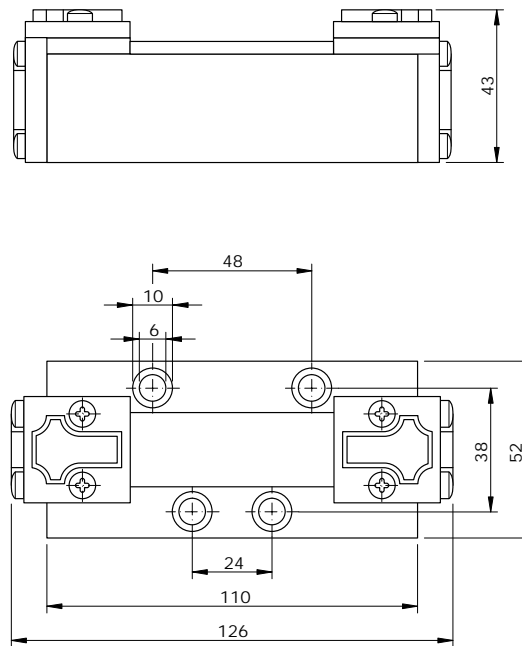


Other information

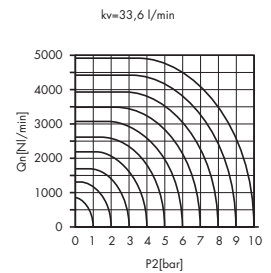
 For ATEX certification use suffix code "EX" for example 76.XXX.XX.XX.EX
 Subplates are available for this product, see data sheets M1004 & M1005.

Symbol	Description	Type	Orifice	Order code
	5/2 way double pilot	Poppet	8mm	76.097.71.42
	5/2 way double pilot	Spool	8mm	76.093.71.42
	5/2 way double pilot with priority	Poppet	8mm	76.097.71.47
	5/2 way double pilot with priority	Spool	8mm	76.093.71.47

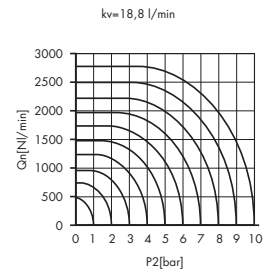
Dimensional drawings



Flow rate orifice poppet type



Flow rate orifice spool type



Impulse Automation Limited
United Kingdom
Company Registration 665193