

CETOP Pneumatic Cylinder ISO 6432

Type ISO 6432 Without Cushioning Ø 16mm - 25mm

Technical information

Operating pressure: Single acting 1.5-10 bar
Double acting Ø16mm 1.0-10 bar/Ø20-25mm 0.5-10 bar

Temperature range: -20°C...+70°C

Housing/end caps: Cr-Ni steel/Aluminium

Rod: Cr-Ni steel

Seals: Perbunan

Lubricant: Shell Tellus C10

Operating medium: 5 micron filtered, lubricated or non-lubricated compressed air.



Other information:

For ATEX certification use code "X" for example 26.X.191.XXX
Sensors are available for this product, see data sheets TX1002/TX1003.
Mountings are available for this product, see data sheets MS1005.

Ø	A	B	C	D	E	F	G	H	J	K	L	M	N	O _(H9)	R _(d13)	T	V	SW1	Single acting Max stroke available	Double acting Max stroke available
16	17	M16x1.5	22	M6	16	20	M5	82	3.5	19.5	95	5	9	6	12	24	8	5	50 mm	350 mm
20	20	M22x1.5	24	M8	20	27	G1/8	95	4	23	110	8	12	8	16	32	10	7	50 mm	500 mm
25	22	M22x1.5	28	M10x1.25	22	27	G1/8	104	4	26	119	8	12	8	16	32	10	9	50 mm	500 mm

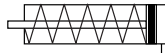
Dimensional drawings & ordering information

Minimum/maximum strokes apply, see table.

Single Acting With Magnetic Piston

Springs are designed for the return of the piston not the coupled mass.

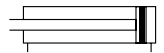
To order: 26.191.XXX 16mm bore + stroke
27.191.XXX 20mm bore + stroke
28.191.XXX 25mm bore + stroke



Double Acting With Magnetic Piston

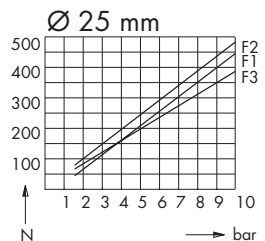
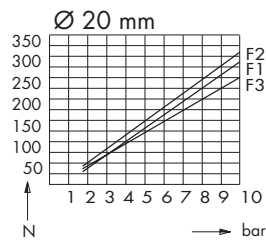
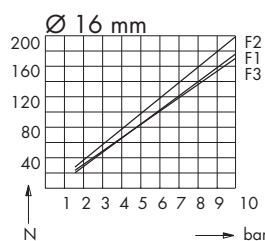
Area ratio (due to the reduction of the piston rod section).
Ø16-25 7:6

To order: 26.291.XXX 16mm bore + stroke
27.291.XXX 20mm bore + stroke
28.291.XXX 25mm bore + stroke

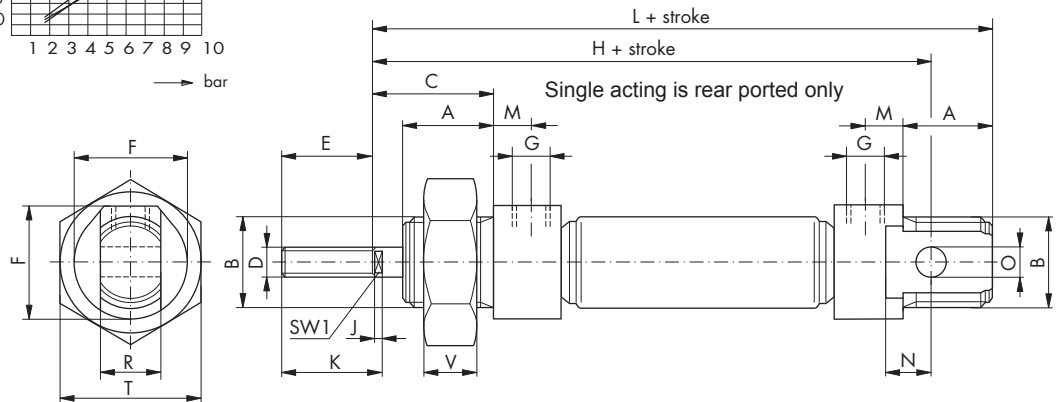


Non-magnetic versions are also available, for example 2X.19.XXX

Non-magnetic versions are also available, for example 2X.29.XXX



F1 = single acting cylinders
F2 = double acting cylinders in forward stroke
F3 = double acting cylinders in return stroke



Impulse Automation Limited
United Kingdom
Company Registration 665193