

CETOP Pneumatic Cylinder ISO 6432

Type ISO 6432 Without Cushioning Ø 8mm - 12mm

Technical information

Operating pressure: Single acting Ø8mm 2-10 bar/Ø10-12mm 1.5-10 bar
Double acting Ø8-10mm 1.5-10 bar/Ø12mm 1.0-10 bar

Temperature range: -20°C...+70°C

Housing/end caps: Cr-Ni steel/Aluminium

Rod: Cr-Ni steel

Seals: Perbunan

Lubricant: Shell Tellus C10

Operating medium: 5 micron filtered, lubricated or non-lubricated compressed air.



Other information:

For ATEX certification use code "X" for example 23.X.191.XXX
Sensors are available for this product, see data sheets TX1002/TX1003.
Mountings are available for this product, see data sheets MS1005.

Ø	A	B	C	D	E	F	G	H	J	K	L	M	N	O _(H9)	R _(d13)	T	V	SW1	Single acting Max stroke available	Double acting Max stroke available
8	12	M12x1.25	16	M4	12	15	M5	64	-	12	72	5	6	4	8	19	7	-	50 mm	150 mm
10	12	M12x1.25	16	M4	12	15	M5	64	-	12	72	5	6	4	8	19	7	-	50 mm	150 mm
12	17	M16x1.5	22	M6	16	20	M5	75	3.5	19.5	85	5	9	6	12	24	8	5	50 mm	300 mm

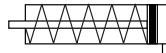
Dimensional drawings & ordering information

Minimum/maximum strokes apply, see table.

Single Acting With Magnetic Piston

Springs are designed for the return of the piston not the coupled mass.

To order: 23.191.XXX 8mm bore + stroke
24.191.XXX 10mm bore + stroke
25.191.XXX 12mm bore + stroke

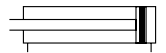


Non-magnetic versions are also available, for example 2X.19.XXX

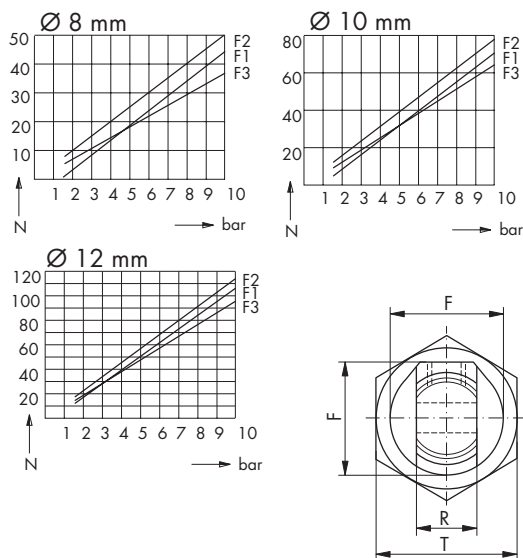
Double Acting With Magnetic Piston

Area ratio (due to the reduction of the piston rod section).
Ø8 4:3 Ø10 6:5 Ø12 4:3

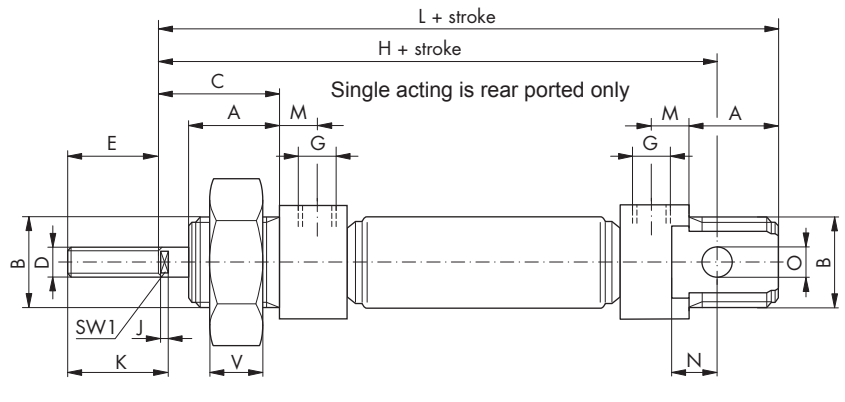
To order: 23.291.XXX 8mm bore + stroke
24.291.XXX 10mm bore + stroke
25.291.XXX 12mm bore + stroke



Non-magnetic versions are also available, for example 2X.29.XXX



F1 = single acting cylinders
F2 = double acting cylinders in forward stroke
F3 = double acting cylinders in return stroke



Impulse Automation Limited
United Kingdom
Company Registration 665193