


Manually Operated Pneumatic Key Valves

Key Operated Pneumatic Valve

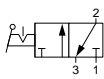
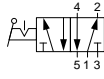
Technical information

Pressure range:	0-10 bar
Temperature range:	-15°C...+50°C
Housing:	Die-cast and lacquered zinc alloy
Seals:	NBR
Lubricant:	Not required
Operating medium:	5 micron filtered, lubricated or non-lubricated compressed air

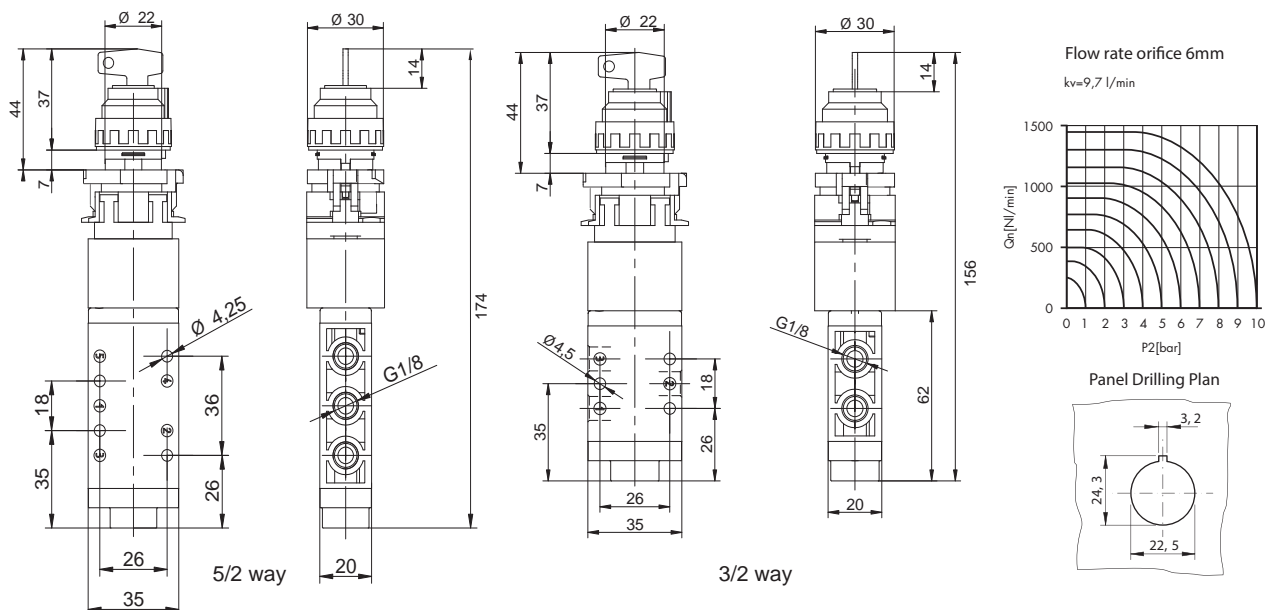
Other information

 For ATEX certification use suffix code "EX" for example 76.XXX.XX.XX.EX
 For NPT ports use prefix code "75" for example 75.XXX.XX.XX



Symbol	Description	Type	Orifice	Ports	Order code
	3/2 way maintained position. Includes 2 keys.	Spool	6mm	G1/8	76.022.48.21
The key is retractable in one position only. Spare keys are not available. Keys are universal and not unique to each valve.					
	5/2 way maintained position. Includes 2 keys.	Spool	6mm	G1/8	76.023.48.41

Dimensional drawings



Impulse Automation Limited
United Kingdom
Company Registration 665193

Information shown in these data sheets are for guidance purposes only, no liability is accepted for any errors or omissions. The designer or user is solely responsible for the safe and proper use of these parts, assemblies or equipment described.