

Manually Operated Pneumatic Valves


Pneumatic Lever Valve 3/2 Way Angled Lever G1/4 ports

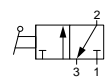
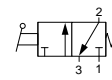
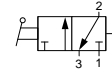
Technical information

Pressure range:	0-10 bar
Temperature range:	-15°C...+50°C
Housing:	Die-cast aluminium alloy
Seals:	NBR
Lubricant:	Not required
Operating medium:	5 micron filtered, lubricated or non-lubricated compressed air



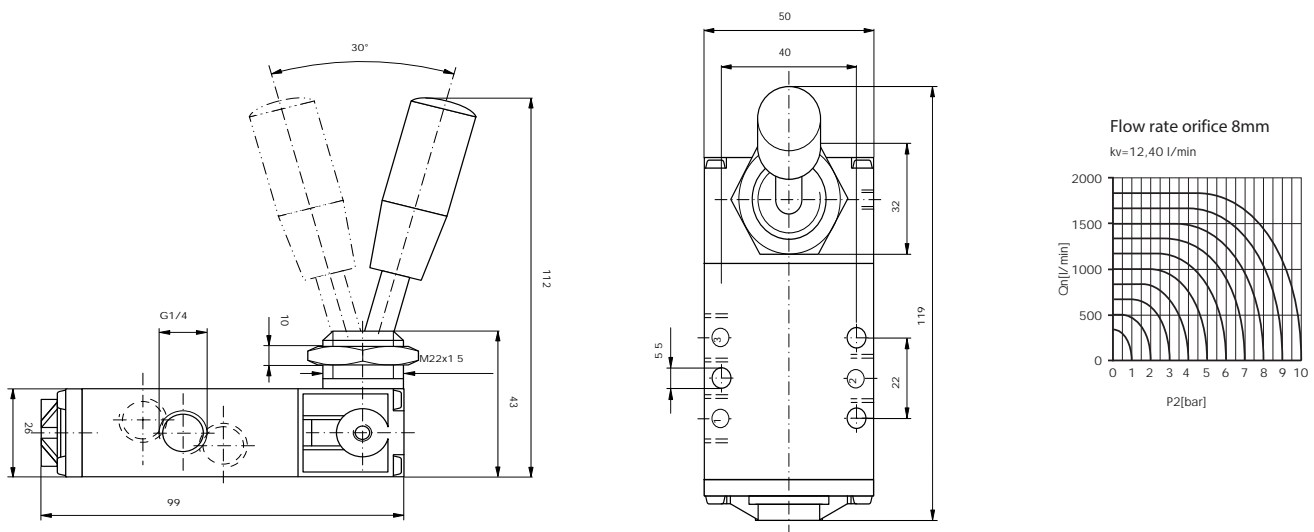
Other information

 For ATEX certification use suffix code "EX" for example 76.XXX.XX.XX.EX
 For NPT ports use prefix code "75" for example 75.XXX.XX.XX
 Bellows available 76.420.00.55 (5 pcs)

Symbol	Description	Type	Orifice	Ports	Lever	Order code
	3/2 way maintained position	Spool	8mm	G1/4	Black	76.042.25.00
	3/2 way spring return normally closed	Spool	8mm	G1/4	Black	76.042.25.21
	3/2 way maintained position with pilot return **	Spool	8mm	G1/4	Black	76.042.25.22

Dimensional drawings

**Dimensional drawing upon request



Impulse Automation Limited
United Kingdom
Company Registration 665193