

# Manually Operated Pneumatic Valves

## Pneumatic Lever Valve 5/2 Way Angled Lever G1/8 Ports

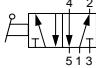
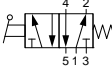
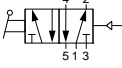
### Technical information

**Pressure range:** 0-10 bar  
**Temperature range:** -15°C...+50°C  
**Housing:** Die-cast and lacquered zinc alloy  
**Seals:** NBR  
**Lubricant:** Not required  
**Operating medium:** 5 micron filtered, lubricated or non-lubricated compressed air.



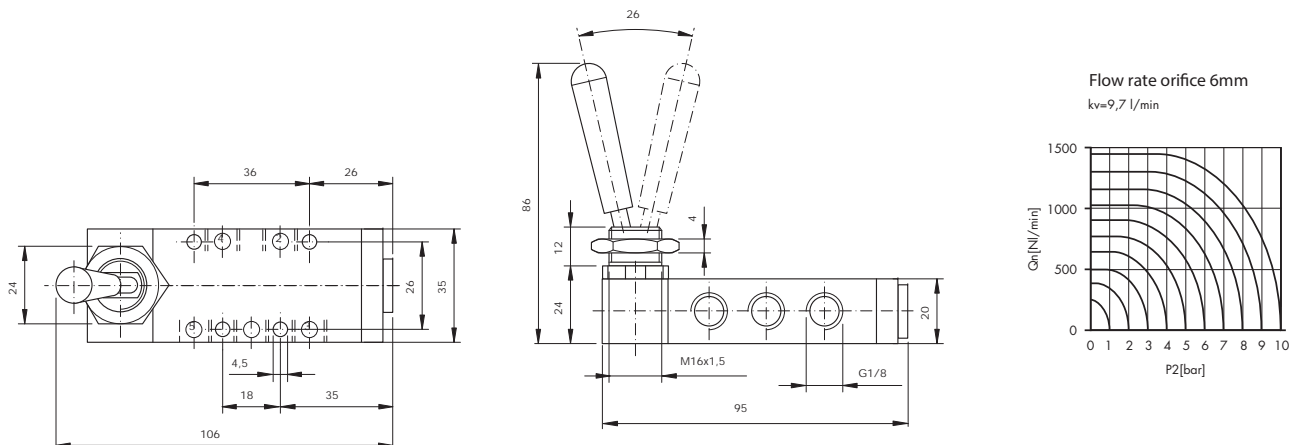
### Other information

**Ex** For ATEX certification use suffix code "EX" for example 76.XXX.XX.XX.EX  
 For NPT ports use prefix code "75" for example 75.XXX.XX.XX  
 Bellows available 76.420.00.54 (5 pcs)

| Symbol  | Description                                      | Type  | Orifice | Ports | Lever | Order code          |
|---|--|-------|---------|-------|-------|---------------------|
|   | 5/2 way maintained position                      | Spool | 6mm     | G1/8  | Black | <b>76.023.25.40</b> |
|  | 5/2 way spring return                            | Spool | 6mm     | G1/8  | Black | <b>76.023.25.41</b> |
|  | 5/2 way maintained position with pilot return ** | Spool | 6mm     | G1/8  | Black | <b>76.023.25.42</b> |

### Dimensional drawings

\*\*Dimensional drawing upon request



**Impulse Automation Limited**  
**United Kingdom**  
**Company Registration 665193**

Information shown in these data sheets are for guidance purposes only, no liability is accepted for any errors or omissions. The designer or user is solely responsible for the safe and proper use of these parts, assemblies or equipment described.