

# Manually Operated Pneumatic Valves

## Pneumatic Lever Valve 5/3 Way Angled Lever G1/8 Ports


### Technical information

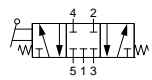
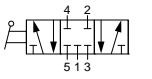
<b>Pressure range:</b>	0-10 bar
<b>Temperature range:</b>	-15°C...+50°C
<b>Housing:</b>	Die-cast and lacquered zinc alloy
<b>Seals:</b>	NBR
<b>Lubricant:</b>	Not required
<b>Operating medium:</b>	5 micron filtered, lubricated or non-lubricated compressed air

### Centre Ports Closed

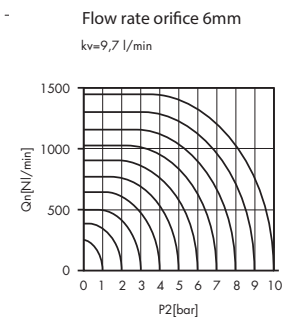
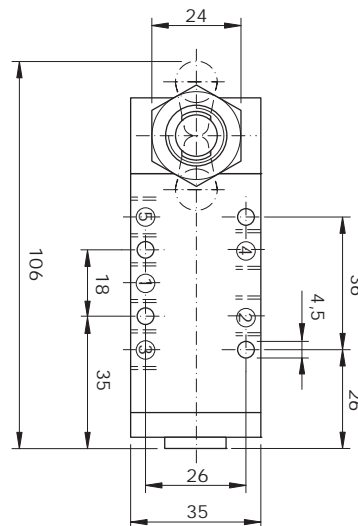
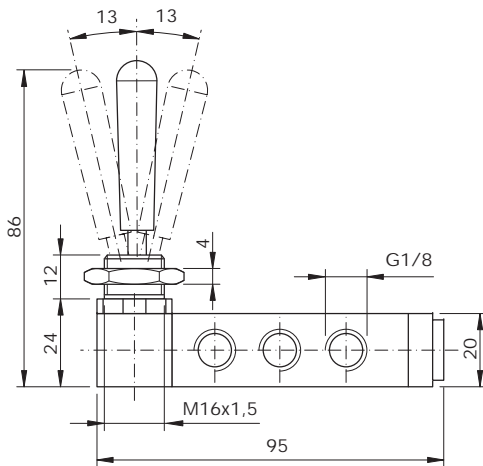


### Other information

 For ATEX certification use suffix code "EX" for example 76.XXX.XX.XX.EX  
 For NPT ports use prefix code "75" for example 75.XXX.XX.XX  
 Bellows available 76.420.00.54 (5 pcs)

Symbol	Description	Type	Orifice	Ports	Lever	Order code
	5/3 way spring return to centre	Spool	6mm	G1/8	Black	<b>76.024.25.38</b>
	5/3 way maintained position	Spool	6mm	G1/8	Black	<b>76.024.25.39</b>

### Dimensional drawings



**Impulse Automation Limited**  
**United Kingdom**  
**Company Registration 665193**

Information shown in these data sheets are for guidance purposes only, no liability is accepted for any errors or omissions. The designer or user is solely responsible for the safe and proper use of these parts, assemblies or equipment described.