

Manually Operated Pneumatic Valves

Pneumatic Lever Valve 5/3 Way Angled Lever G1/8 Ports

Technical information

Pressure range: 0-10 bar
Temperature range: -15°C...+50°C
Housing: Die-cast and lacquered zinc alloy
Seals: NBR
Lubricant: Not required
Operating medium: 5 micron filtered, lubricated or non-lubricated compressed air

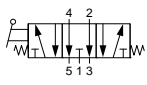

Centre Ports Exhaust



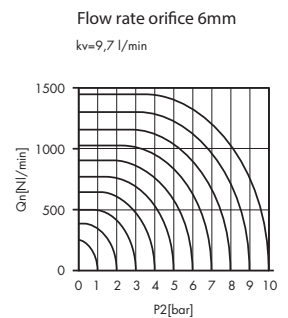
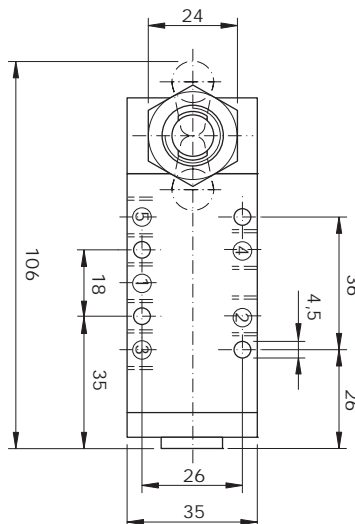
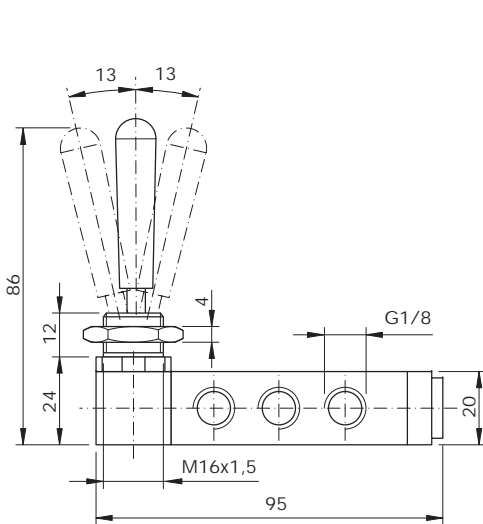
Other information



For ATEX certification use suffix code "EX" for example 76.XXX.XX.XX.EX
 For NPT ports use prefix code "75" for example 75.XXX.XX.XX
 Bellows available 76.420.00.54 (5 pcs)

Symbol	Description	Type	Orifice	Ports	Lever	Order code
	5/3 way spring return to centre	Spool	6mm	G1/8	Black	76.024.25.28
	5/3 way maintained position	Spool	6mm	G1/8	Black	76.024.25.29

Dimensional drawings



Impulse Automation Limited
United Kingdom
Company Registration 665193

Information shown in these data sheets are for guidance purposes only, no liability is accepted for any errors or omissions. The designer or user is solely responsible for the safe and proper use of these parts, assemblies or equipment described.