

Manually Operated Pneumatic Valves

Pneumatic Lever Valve 5/3 Way Angled Lever G1/4 Ports

Technical information

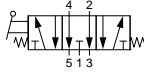
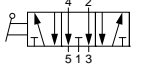
Pressure range: 0-10 bar
Temperature range: -15°C...+50°C
Housing: Glass fibre reinforced PPA
Seals: NBR
Lubricant: Not required
Operating medium: 5 micron filtered, lubricated or non-lubricated compressed air.

Centre Ports Exhaust

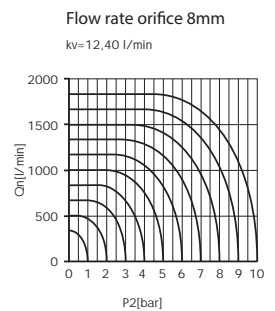
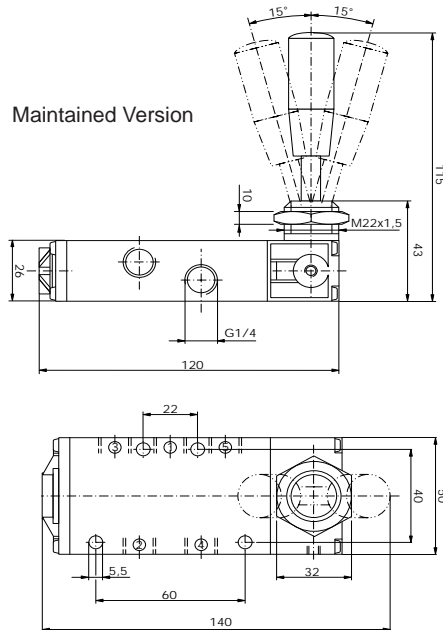
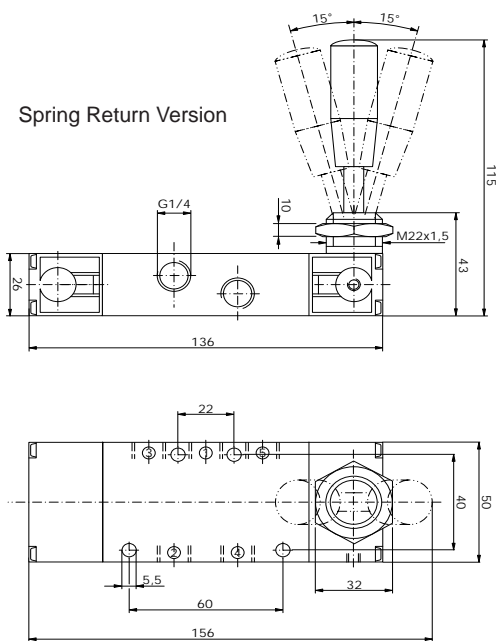


Other information

For NPT ports use prefix code "75" for example 75.XXX.XX.XX
 Bellows available 76.420.00.55 (5 pcs)

Symbol	Description	Type	Orifice	Ports	Lever	Order code
	5/3 way spring return to centre	Spool	8mm	G1/4	Black	76.144.25.28
	5/3 way maintained position	Spool	8mm	G1/4	Black	76.144.25.29

Dimensional drawings



Impulse Automation Limited
United Kingdom
Company Registration 665193