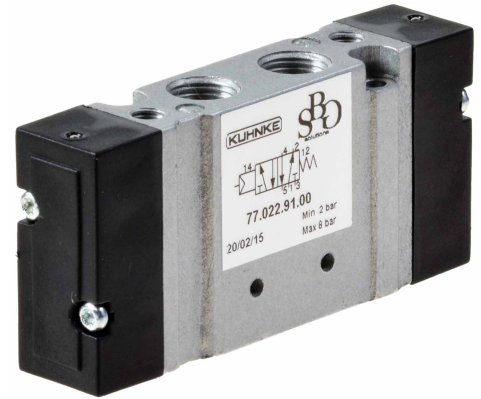


Air Pilot Operated Manifold Valves

2 x 3/2 Way G1/8 Double Pilot Control

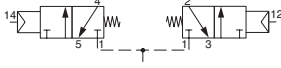
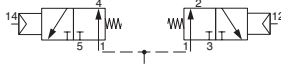
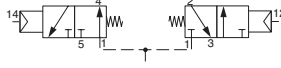
Technical information

Pressure range:	2-8 bar
Temperature range:	-5°C...+50°C
Flow rate:	800 NI/min
Housing:	Aluminium alloy
Sealing element:	Soft spool
Lubricant:	Not required
Operating medium:	5 micron filtered, lubricated or non-lubricated compressed air

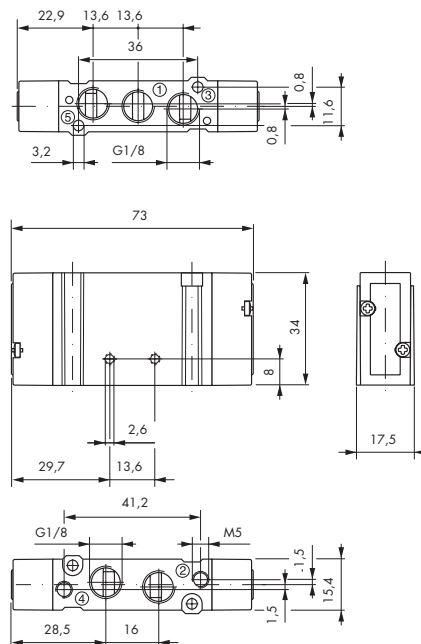


Other information

Subplates are available for this product, see data sheet M1018.

Symbol	Description	Type	Orifice	Ports	Order code
	2 x 3/2 way normally closed	Spool	6mm	G1/8	77.022.14.00
	2 x 3/2 way normally open	Spool	6mm	G1/8	77.022.24.00
	2 x 3/2 way normally open/closed	Spool	6mm	G1/8	77.022.34.00

Dimensional drawings



Impulse Automation Limited
United Kingdom
Company Registration 665193