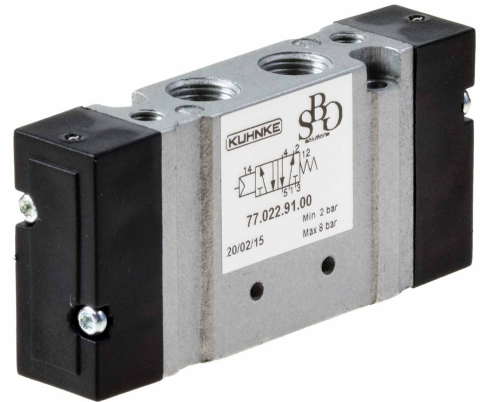


# Air Pilot Control Manifold Valves

## 5/3 Way G1/8 Double Pilot Control

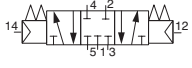
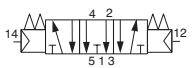
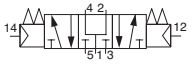
### Technical information

<b>Pressure range:</b>	3-8 bar
<b>Temperature range:</b>	-5°C...+50°C
<b>Flow rate:</b>	600 NI/min
<b>Housing:</b>	Aluminium alloy
<b>Sealing element:</b>	Soft spool
<b>Lubricant:</b>	Not required
<b>Operating medium:</b>	5 micron filtered, lubricated or non-lubricated compressed air

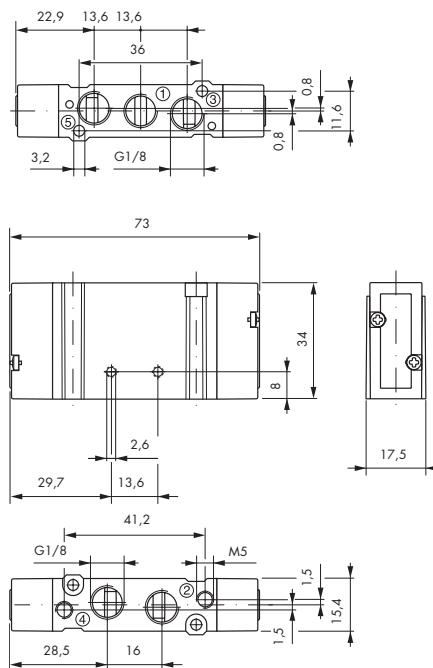


### Other information

Subplates are available for this product, see data sheet M1018.

Symbol	Description	Type	Orifice	Ports	Order code
	5/3 way all ports closed	Spool	6mm	G1/8	<b>77.022.12.00</b>
	5/3 way ports 2 & 4 exhaust	Spool	6mm	G1/8	<b>77.022.22.00</b>
	5/3 way ports 2 & 4 pressurised	Spool	6mm	G1/8	<b>77.022.32.00</b>

### Dimensional drawings



**Impulse Automation Limited**  
**United Kingdom**  
**Company Registration 665193**