

Solenoid Operated Manifold Valves

5/2 Way G1/8 Double & Single Solenoid Control

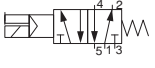
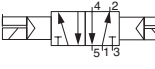
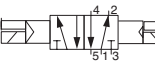
Technical information

Pressure range:	2-8 bar
Temperature range:	-5°C...+50°C
Flow rate:	800 NI/min
Housing:	Aluminium alloy
Sealing element:	Soft spool
Lubricant:	Not required
Operating medium:	5 micron filtered, lubricated or non-lubricated compressed air

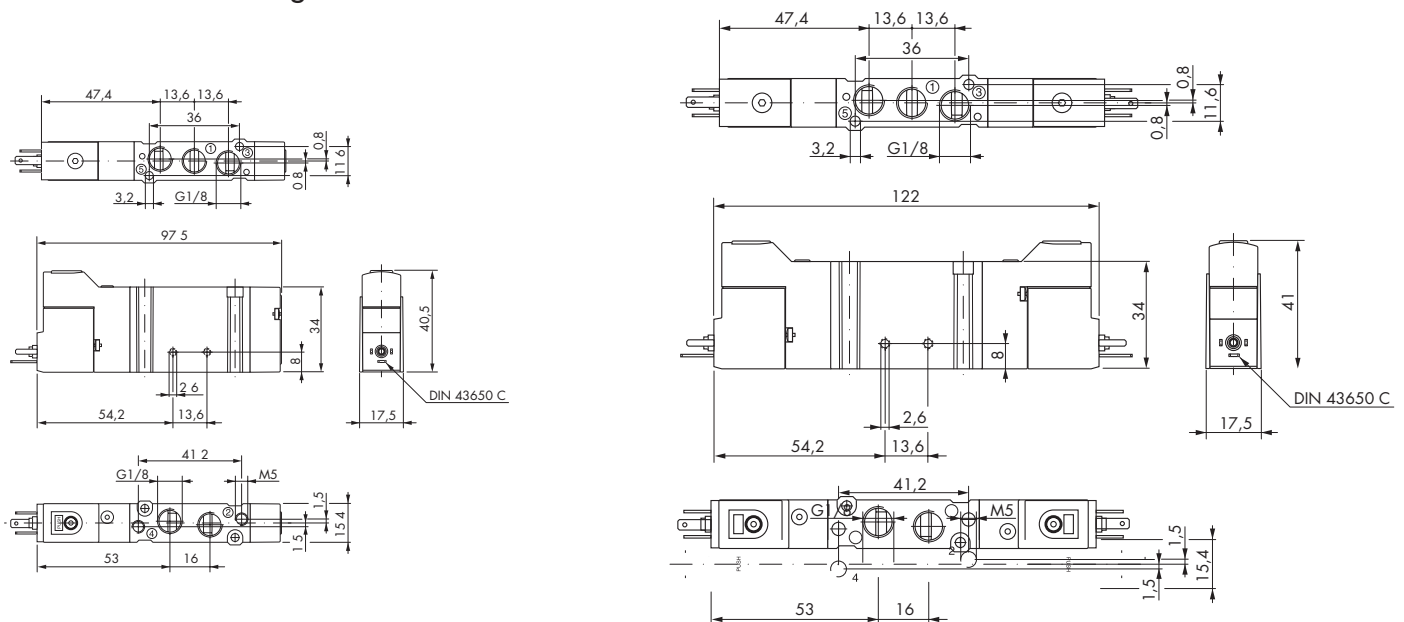


Other information

Order coils & connecting plugs separately, see data sheet M1020.
 Subplates are available for this product, see data sheet M1018.
 For low pressure use, external auxiliary ports are available.

Symbol	Description	Type	Orifice	Ports	Order code
	5/2 way single solenoid	Spool	6mm	G1/8	77.012.91.00
	5/2 way single solenoid + auxiliary ports	Spool	6mm	G1/8	77.032.91.00
	5/2 way double solenoid	Spool	6mm	G1/8	77.012.92.00
	5/2 way double solenoid + auxiliary ports	Spool	6mm	G1/8	77.032.92.00
	5/2 way double solenoid with priority	Spool	6mm	G1/8	77.012.93.00
	5/2 way double solenoid with priority + auxiliary ports	Spool	6mm	G1/8	77.032.93.00

Dimensional drawings



Impulse Automation Limited
United Kingdom
Company Registration 665193