

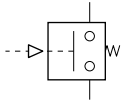
Kuhnke Pressure Switch 60.060.01

Non-Adjustable Pressure Switch (PE Converter)

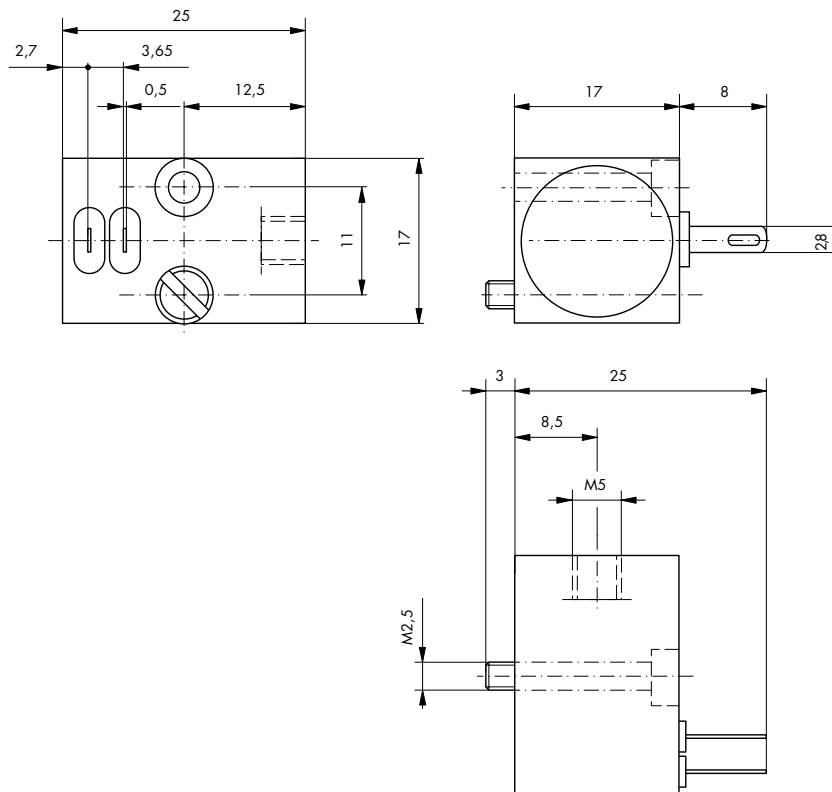
Technical information

Pressure range: >0.8-8 bar
Switch on pressure: 0.8 bar +/-25%
Temperature range: -10°C...+60°C
Contact material: Ag 5 microns
Contact rating: 100mA 42V AC/DC max 1.5 W
Electrical connections: Plug contacts
Switching rate: 12Hz
Hysterisis: 0.5 bar



Symbol	Description	Ports	Order code
	Pressure switch non-adjustable supplied with two screws	M5	60.060.01

Dimensional drawings



Impulse Automation Limited
United Kingdom
Company Registration 665193