

Mechanically Operated Pneumatic Valves

3/2 & 5/2 Way Roller Lever Valve - One Way Roller Function

Technical information

Pressure range: 0-10 bar
Temperature range: -15°C...+50°C
Housing: Die-cast and lacquered zinc alloy
Seals: NBR
Lubricant: Not required
Operating medium: 5 micron filtered, lubricated or non-lubricated compressed air

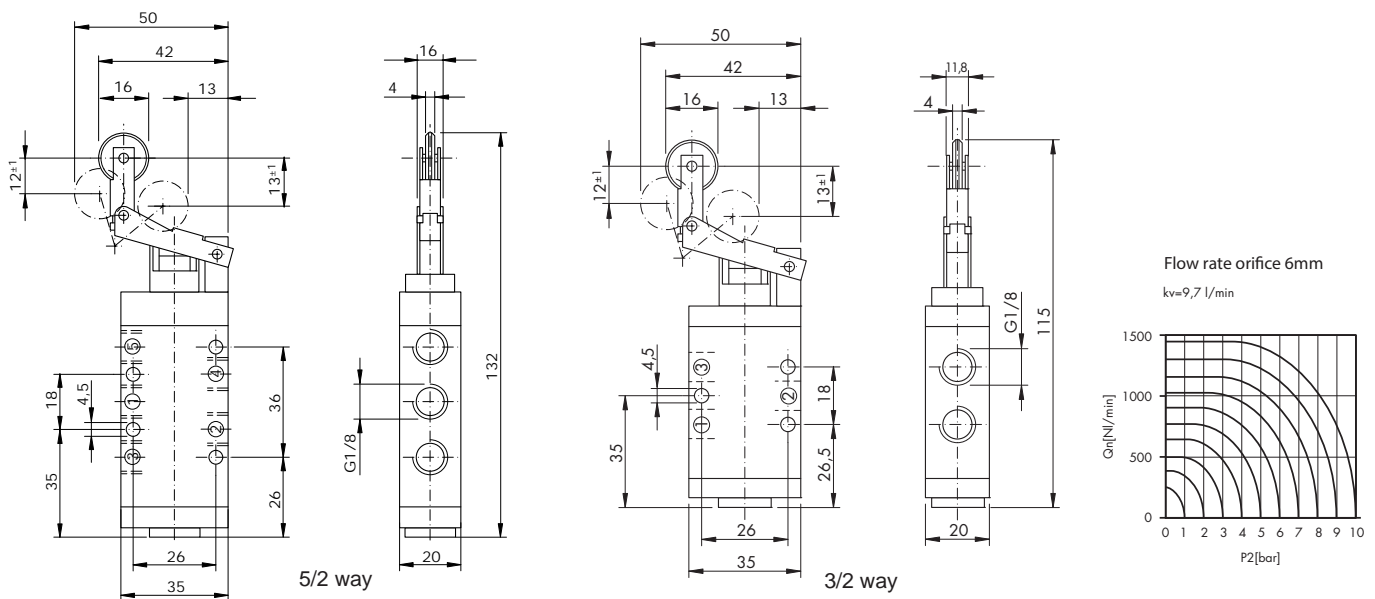


Other information

Ex For ATEX certification use suffix code "EX" for example 76.XXX.XX.XX.EX
 For NPT ports use prefix code "75" for example 75.XXX.XX.XX

Symbol	Description	Type	Orifice	Ports	Order code
	3/2 way spring return normally closed	Spool	6mm	G1/8	76.022.24.21
	5/2 way spring return	Spool	6mm	G1/8	76.023.24.41

Dimensional drawings



Impulse Automation Limited
United Kingdom
Company Registration 665193