

Pneumatic Flip-Flop Valve

5/2 Way Pneumatically Controlled Flip-Flop Valve

Technical information

Pressure range:	2.5-10 bar
Control pressure:	0-10 bar
Temperature range:	-15°C...+50°C
Housing:	Die-cast and lacquered zinc alloy
Seals:	NBR
Lubricant:	Not required
Operating medium:	5 micron filtered, lubricated or non-lubricated compressed air

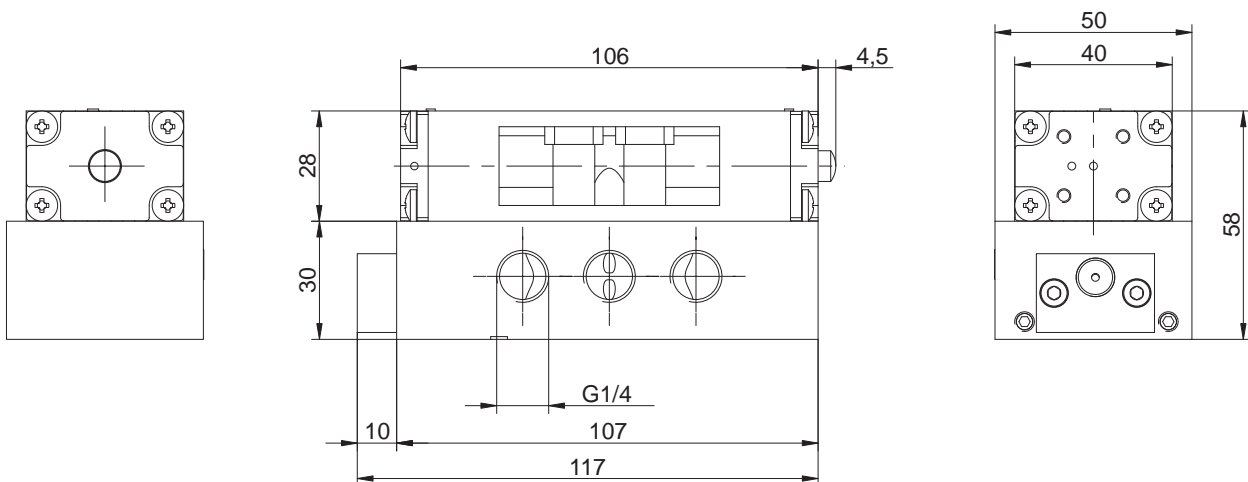


Other information

The flip-flop valve provides a 5/2 way switched output from a pilot pulse signal of at least 300ms. When a pilot pulse is applied to the control port, the 5/2 way valve position changes and maintained until the next pilot pulse signal is applied. The control pilot signal must be greater than 50% of the switched line pressure.

Description	Orifice	Pilot Port	Ports	Order code
5/2 way pulsed maintained position	8mm	G1/8	G1/4	76.083.89.42

Dimensional drawings



Impulse Automation Limited
United Kingdom
Company Registration 665193