

Manually Operated Pneumatic Foot Pedal Valves

Pneumatic Foot Pedal Valve G1/4 - 5/2 Way

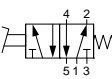
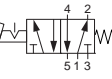
Technical information

Pressure range:	0-10 bar
Temperature range:	-15°C...+50°C
Housing:	Plastic polycarbonate
Seals:	NBR
Lubricant:	Not required
Operating medium:	5 micron filtered, lubricated or non-lubricated compressed air

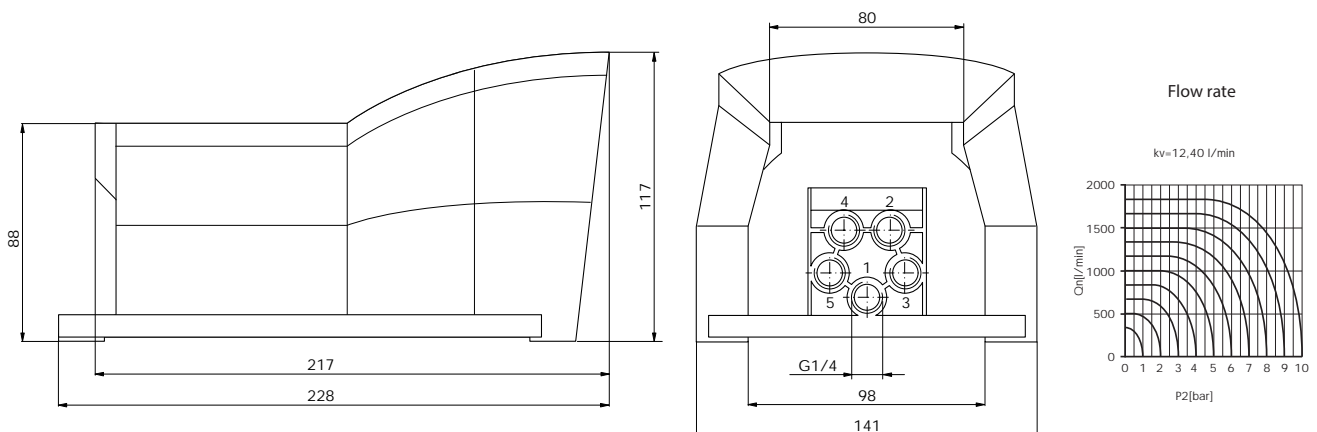


Other information

For NPT ports use prefix code "75" for example 75.XXX.XX.XX

Symbol	Description	Ports	Colour	Order code
	5/2 way spring return	G1/4	Yellow	76.047.68.41
	5/2 way spring return	G1/4	Blue	76.047.69.41
	5/2 way maintained position with latch	G1/4	Yellow	76.047.68.49
	5/2 way maintained position with latch	G1/4	Blue	76.047.69.49

Dimensional drawings



Impulse Automation Limited
 United Kingdom
 Company Registration 665193

Information shown in these data sheets are for guidance purposes only, no liability is accepted for any errors or omissions. The designer or user is solely responsible for the safe and proper use of these parts, assemblies or equipment described.