

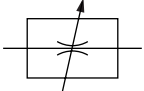
Logic Valves & Flow Control

Pneumatic Two-Way Adjustable Flow Restrictor

Technical information

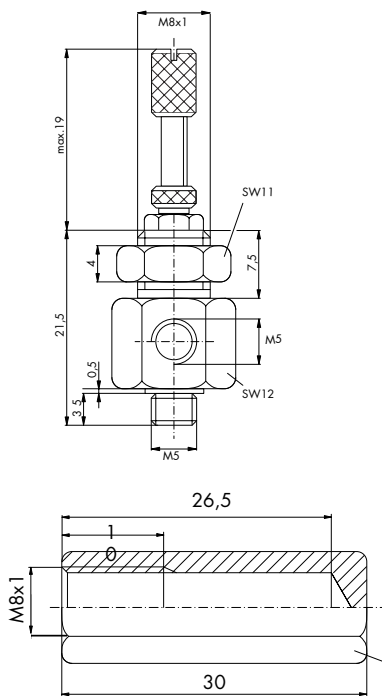
Pressure range: Max. 8 bar
Flow rates: See graph below.
Temperature range: -10°C...+70°C
Materials: Brass body, stainless steel needle.
Operating medium: 5 micron filtered, lubricated or non-lubricated compressed air.



Symbol	Description	Connection	Order code
	Flow restrictor with locking nut	M5	47.220

Dimensional drawings

Clockwise rotation closes the flow restrictor.



Protective Cover

Order code: **47.266**

The valve has a long flow control adjustment stem with a knurled knob to assist the precision setting of the device. The setting lock nut can be used to prevent tampering once the desired flow has been set.

A screwdriver slot can be utilised if the device is used with a protective cover. Protective covers are used to prevent tampering, or to protect the long stem from accidental damage.

