

Manually Operated Pneumatic Valves

Pneumatic Push Button Valve - Mushroom Button

Technical information

Pressure range: 0-10 bar
Temperature range: -15°C...+50°C
Housing: Die-cast and lacquered zinc alloy
Seals: NBR
Lubricant: Not required
Operating medium: 5 micron filtered, lubricated or non-lubricated compressed air

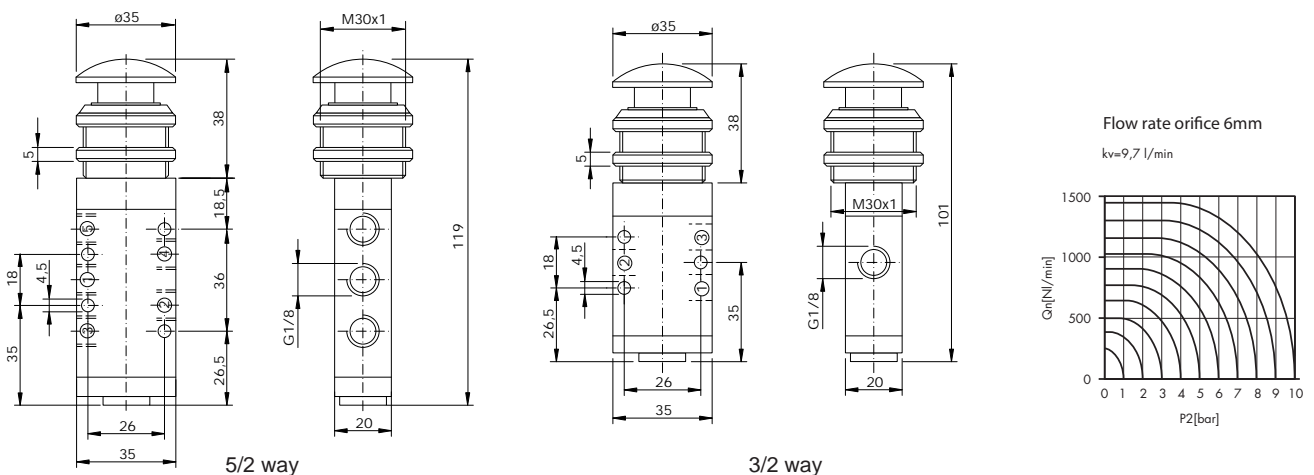


Other information

For ATEX certification use suffix code "EX" for example 76.XXX.XX.XX.EX
 For NPT ports use prefix code "75" for example 75.XXX.XX.XX

Symbol	Description	Type	Orifice	Ports	Button	Order code
	3/2 way spring return normally closed	Spool	6mm	G1/8	Red	76.022.61.21
	3/2 way spring return normally closed	Spool	6mm	G1/8	Black	76.022.61.23
	3/2 way spring return normally closed	Spool	6mm	G1/8	Green	76.022.61.24
	5/2 way spring return	Spool	6mm	G1/8	Red	76.023.61.41
	5/2 way spring return	Spool	6mm	G1/8	Black	76.023.61.43
	5/2 way spring return	Spool	6mm	G1/8	Green	76.023.61.44

Dimensional drawings



Impulse Automation Limited
United Kingdom
Company Registration 665193

Information shown in these data sheets are for guidance purposes only, no liability is accepted for any errors or omissions. The designer or user is solely responsible for the safe and proper use of these parts, assemblies or equipment described.