


Manually Operated Pneumatic Valves

Pneumatic Push Button Valve - Shrouded Type Button

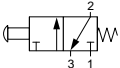
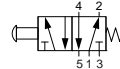
Technical information

Pressure range:	0-10 bar
Temperature range:	-15°C...+50°C
Housing:	Die-cast and lacquered zinc alloy
Seals:	NBR
Lubricant:	Not required
Operating medium:	5 micron filtered, lubricated or non-lubricated compressed air

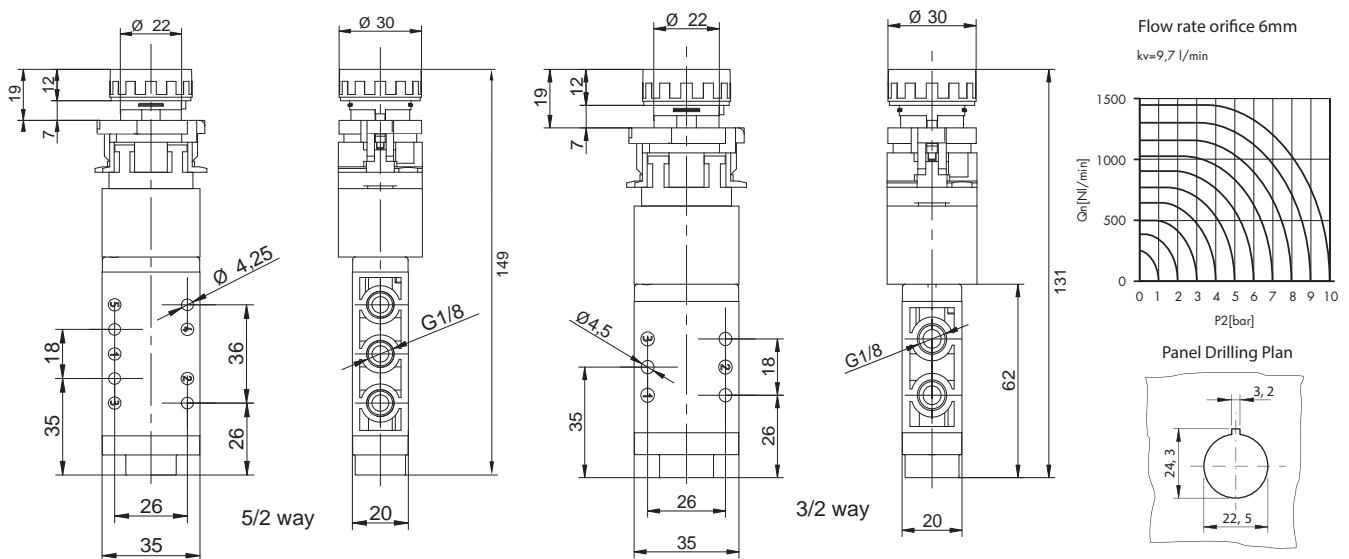
Other information

 For ATEX certification use suffix code "EX" for example 76.XXX.XX.XX.EX
For NPT ports use prefix code "75" for example 75.XXX.XX.XX



Symbol	Description	Type	Orifice	Ports	Button	Order code
	3/2 way spring return normally closed	Spool	6mm	G1/8	**	76.022.42.21
** Valves are supplied with three coloured discs - white, red & black						
	5/2 way spring return	Spool	6mm	G1/8	**	76.023.42.41

Dimensional drawings



Impulse Automation Limited
United Kingdom
Company Registration 665193