

# Manually Operated Pneumatic Valves

## Pneumatic Push Button Valve - Shrouded Type Button

### Technical information

**Actuation force @ 6 bar:** 8N - air pilot assisted for lighter operation  
**Pressure range:** 2.5-10 bar  
**Temperature range:** -15°C...+50°C  
**Housing:** Die-cast and lacquered zinc alloy  
**Seals:** NBR  
**Lubricant:** Not required  
**Operating medium:** 5 micron filtered, lubricated or non-lubricated compressed air

### Air Pilot Assisted

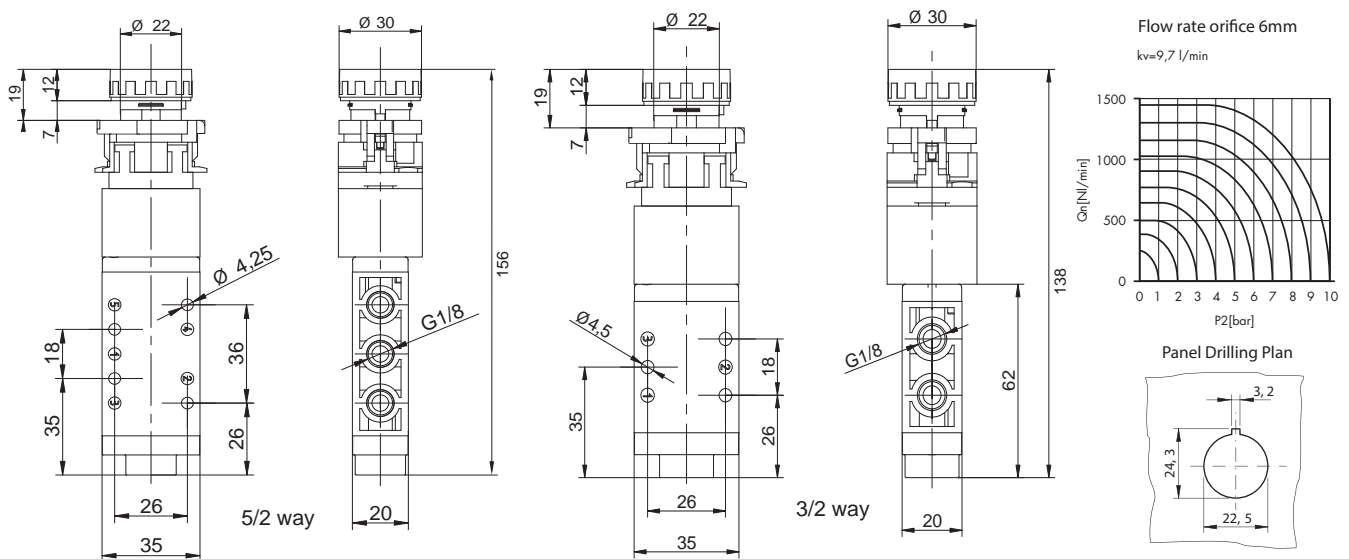


### Other information

For ATEX certification use suffix code "EX" for example 76.XXX.XX.XX.EX  
 For NPT ports use prefix code "75" for example 75.XXX.XX.XX

| Symbol  | Description                           | Type  | Orifice | Ports | Button | Order code   |
|---|---------------------------------------|-------|---------|-------|--------|--------------|
|   | 3/2 way spring return normally closed | Spool | 6mm     | G1/8  | **     | 76.022.52.21 |
| ** Valves are supplied with three coloured discs - white, red & black |                                       |       |         |       |        |              |
|   | 5/2 way spring return                 | Spool | 6mm     | G1/8  | **     | 76.023.52.41 |

### Dimensional drawings



**Impulse Automation Limited**  
**United Kingdom**  
**Company Registration 665193**