

Kuhnke Pneumatic Rotary Actuator

50mm Diameter - Single Acting

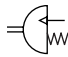
Technical information

Pressure range:	2-8 bar
Temperature range:	-10°C...+70°C
Return torque:	(Md) approx. 0.165 Nm
Stroke volume:	Approx. 7 cm ³
Angular travel:	90°+10°
Housing/shaft:	Aluminium alloy/CrNi steel
Seals:	Perbunan
Lubricant:	Shell Tellus C10
Operating medium:	5 micron filtered, lubricated or non-lubricated compressed air

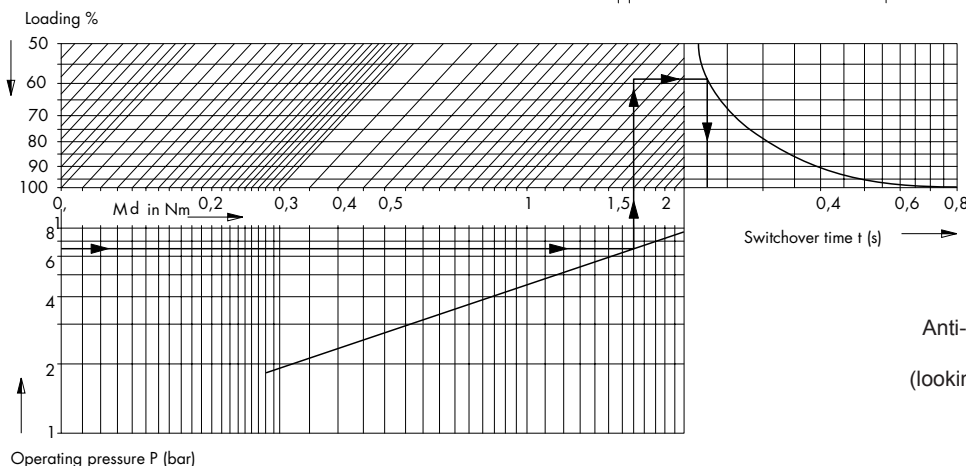
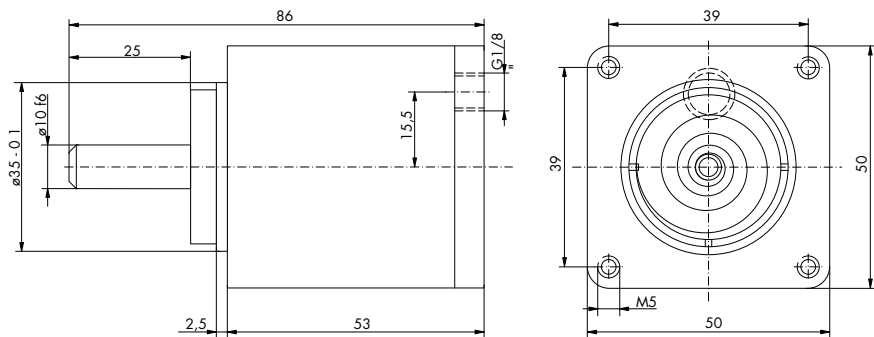


Other information

The angle of rotation can be limited by fitting an external stop in the forward position only, the spring return home position must be fully reached upon exhausting the actuator.

Symbol	Description	Ports	Order code
	Rotary actuator spring return anti-clockwise rotation	G1/8	701.001
	Rotary actuator spring return clockwise rotation	G1/8	701.002

Dimensional drawings



Anti-clockwise and clockwise rotations (looking at the end of the shaft).

Impulse Automation Limited
United Kingdom
Company Registration 665193