

Air Pilot Operated Pneumatic Valves

5/2 Way Single Pilot Control Valve G1/8 Ports

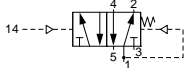
Technical information

Pressure range:	2.5-10 bar
Control pressure:	2.5-10 bar (port 14 ≥ port 1 pressure)
Temperature range:	-15°C...+50°C
Housing:	Plastic material (IXEF)
Seals:	NBR
Lubricant:	Not required
Operating medium:	5 micron filtered, lubricated or non-lubricated compressed air

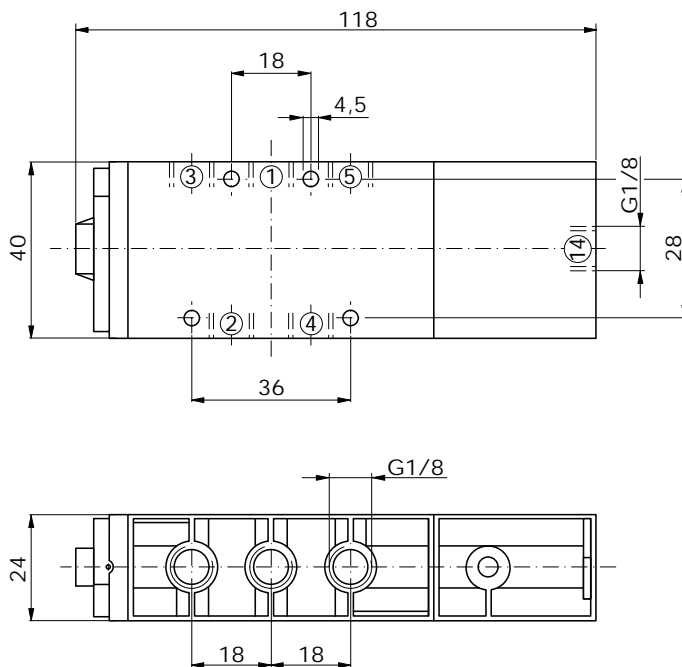


Other information

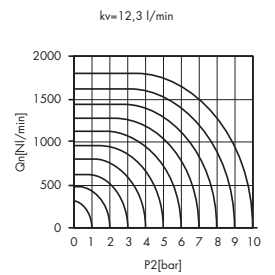
Subplates are available for this product, see data sheet M1001.

Symbol	Description	Type	Orifice	Ports	Order code
	5/2 way spring return	Poppet	6mm	G1/8	76.127.71.41
	5/2 way spring return	Spool	6mm	G1/8	76.123.71.41

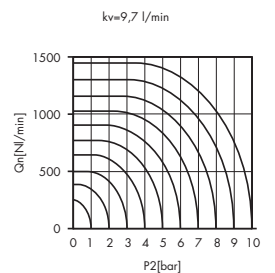
Dimensional drawings



Flow rate orifice 6mm poppet type



Flow rate orifice 6mm spool type



Impulse Automation Limited
United Kingdom
Company Registration 665193

Information shown in these data sheets are for guidance purposes only, no liability is accepted for any errors or omissions. The designer or user is solely responsible for the safe and proper use of these parts, assemblies or equipment described.