

Air Pilot Operated Pneumatic Valves


5/2 Way Single Pilot Control Valve G1/8 Ports

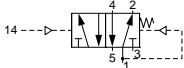
Technical information

Pressure range:	2.5-10 bar
Control pressure:	2.5-10 bar (port 14 ≥ port 1 pressure)
Temperature range:	-15°C...+50°C
Housing:	Die-cast and lacquered aluminium alloy
Seals:	NBR
Lubricant:	Not required
Operating medium:	5 micron filtered, lubricated or non-lubricated compressed air

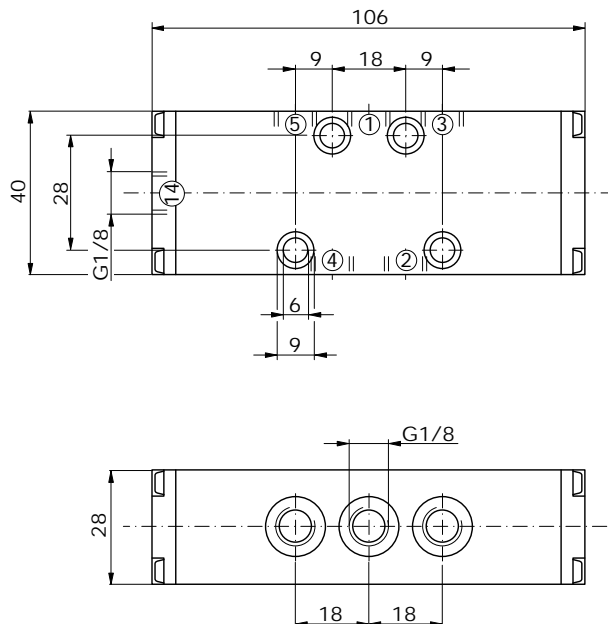


Other information

 For ATEX certification use suffix code "EX" for example 76.XXX.XX.XX.EX
 For NPT ports use prefix code "75" for example 75.XXX.XX.XX

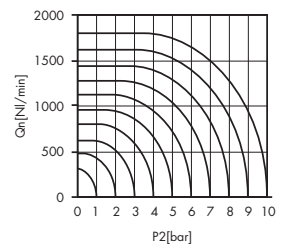
Symbol	Description	Type	Orifice	Ports	Order code
	5/2 way spring return	Poppet	6mm	G1/8	76.027.71.41
	5/2 way spring return	Spool	6mm	G1/8	76.023.71.41

Dimensional drawings



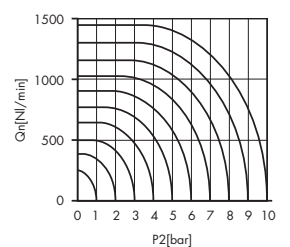
Flow rate orifice 6mm poppet type

$k_v=12,3$ l/min



Flow rate orifice 6mm spool type

$k_v=9,7$ l/min



Impulse Automation Limited
United Kingdom
Company Registration 665193