

Solenoid Operated Pneumatic Valves

5/2 Way Single Solenoid Control Valve G1/8 Ports

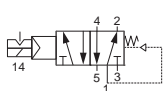
Technical information

Pressure range:	2.5-10 bar
Temperature range:	-15°C...+50°C
Housing:	Plastic material (IXEF)
Seals:	NBR
Lubricant:	Not required.
Earthing contact:	Part of the standard device.
Operating medium:	5 micron filtered, lubricated or non-lubricated compressed air.

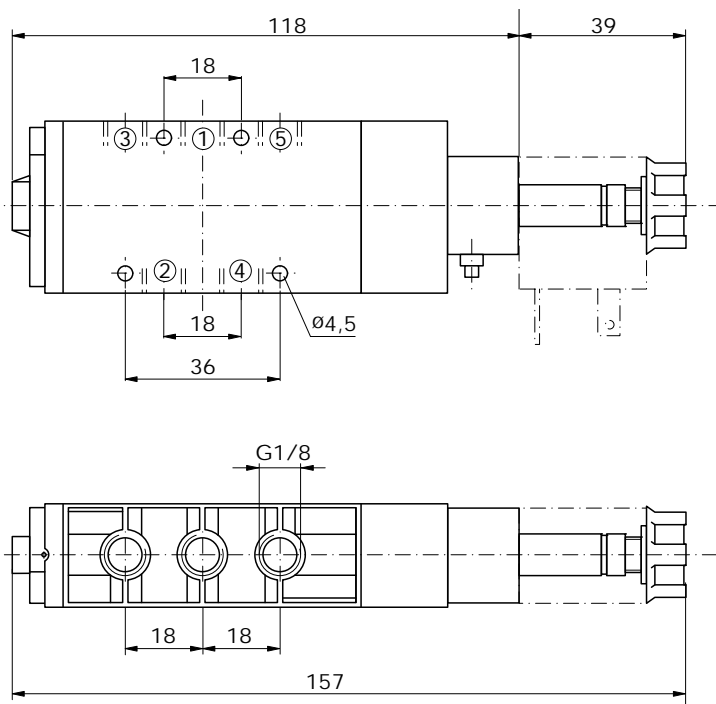


Other information

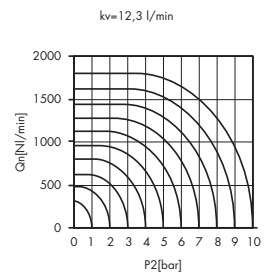
Subplates are available for this product, see data sheet M1001.
 Order coils & connecting plugs separately, see data sheet M1002.

Symbol	Description	Type	Orifice	Ports	Order code
	5/2 way spring return	Poppet	6mm	G1/8	76.127.91.00
	5/2 way spring return	Spool	6mm	G1/8	76.123.91.00

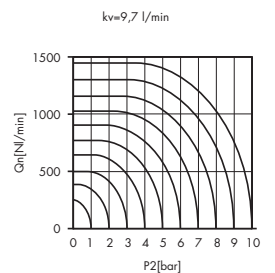
Dimensional drawings



Flow rate orifice 6mm poppet type



Flow rate orifice 6mm spool type



Impulse Automation Limited
United Kingdom
Company Registration 665193