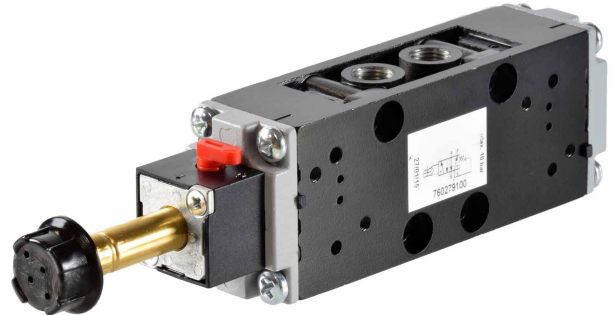


Solenoid Operated Pneumatic Valves

5/2 Way Single Solenoid Control Valve G1/8 Ports

Technical information

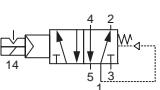
Pressure range:	2.5-10 bar
Temperature range:	-15°C...+50°C
Housing:	Die cast and lacquered aluminium alloy
Seals:	NBR
Lubricant:	Not required
Earthing contact:	Part of the standard device.
Operating medium:	5 micron filtered, lubricated or non-lubricated compressed air



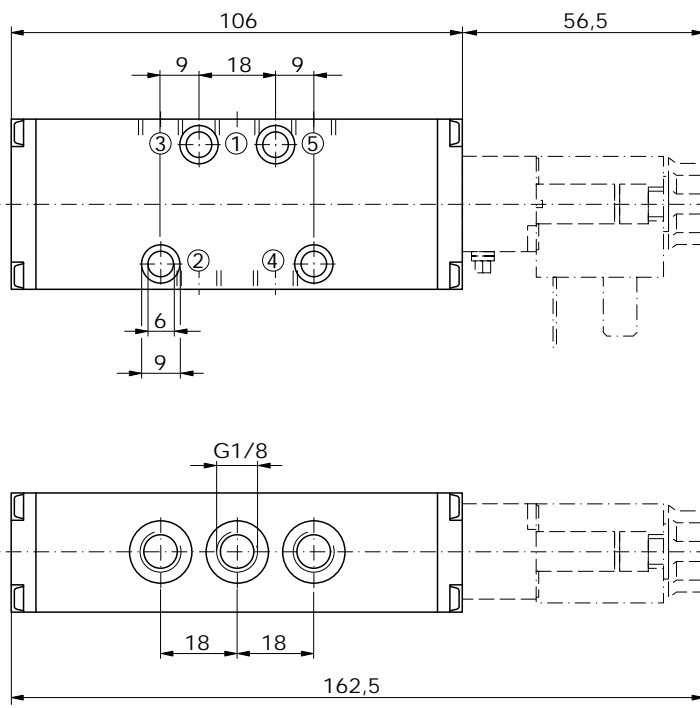
Other information



For ATEX certification use suffix code "EX" for example 76.XXX.XX.XX.EX
 For NPT ports use prefix code "75" for example 75.XXX.XX.XX
 Order coils & connecting plugs separately, see data sheet M1002.

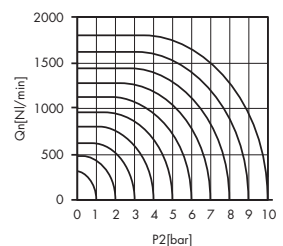
Symbol	Description	Type	Orifice	Ports	Order code
	5/2 way spring return	Poppet	6mm	G1/8	76.027.91.00
	5/2 way spring return	Spool	6mm	G1/8	76.023.91.00

Dimensional drawings



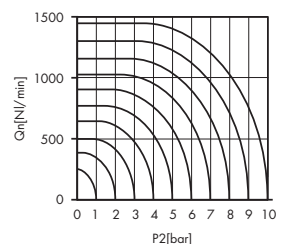
Flow rate orifice 6mm poppet type

$k_v=12,3$ l/min



Flow rate orifice 6mm spool type

$k_v=9,7$ l/min



Impulse Automation Limited
United Kingdom
Company Registration 665193