

# Solenoid Operated Pneumatic Valves


## 5/2 Way Single Solenoid Control Valve G1/8 Ports

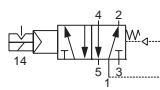
### Technical information

<b>Pressure range:</b>	2.5-10 bar
<b>Temperature range:</b>	-15°C...+50°C
<b>Housing:</b>	Die cast and lacquered aluminium alloy
<b>Seals:</b>	NBR
<b>Lubricant:</b>	Not required
<b>Earthing contact:</b>	Part of the standard device.
<b>Operating medium:</b>	5 micron filtered, lubricated or non-lubricated compressed air

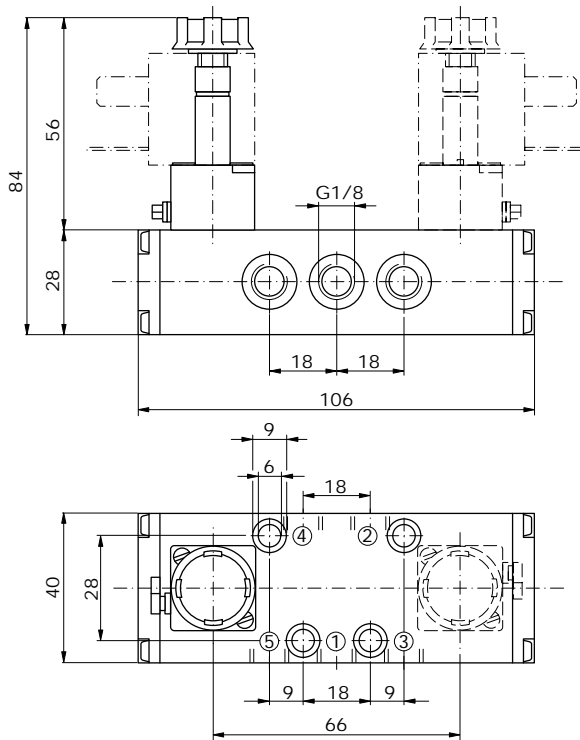


### Other information

 For ATEX certification use suffix code "EX" for example 76.XXX.XX.XX.EX  
 For NPT ports use prefix code "75" for example 75.XXX.XX.XX  
 Order coils & connecting plugs separately, see data sheet M1002.

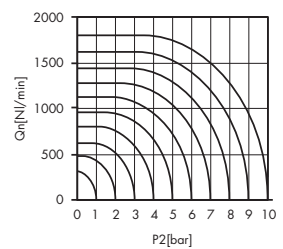
Symbol	Description	Type	Orifice	Ports	Order code
	5/2 way spring return	Poppet	6mm	G1/8	<b>76.027.94.00</b>
	5/2 way spring return	Spool	6mm	G1/8	<b>76.023.94.00</b>

### Dimensional drawings



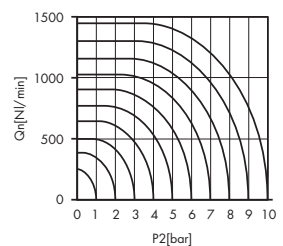
Flow rate orifice 6mm poppet type

kv=12,3 l/min



Flow rate orifice 6mm spool type

kv=9,7 l/min



**Impulse Automation Limited**  
**United Kingdom**  
**Company Registration 665193**