

Solenoid Operated Pneumatic Valves

5/2 Way Single Solenoid Control Valve G1/4 Ports

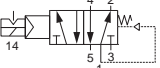
Technical information

Pressure range:	2.5-10 bar
Temperature range:	-15°C...+50°C
Housing:	Glass fibre reinforced PPA
Seals:	NBR
Lubricant:	Not required
Earthing contact:	Part of the standard device.
Operating medium:	5 micron filtered , lubricated or non-lubricated compressed air.

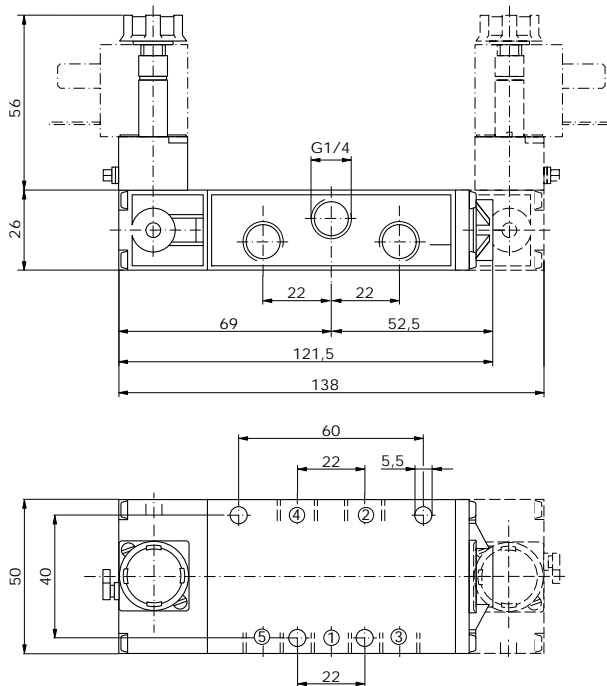


Other information

For NPT ports use prefix code "75" for example 75.XXX.XX.XX
 Order coils & connecting plugs separately, see data sheet M1002.

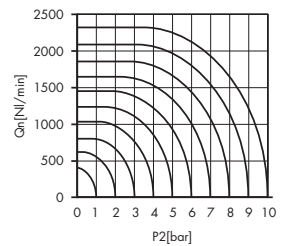
Symbol	Description	Type	Orifice	Ports	Order code
	5/2 way spring return	Poppet	8mm	G1/4	76.147.94.00
	5/2 way spring return	Spool	8mm	G1/4	76.143.94.00

Dimensional drawings



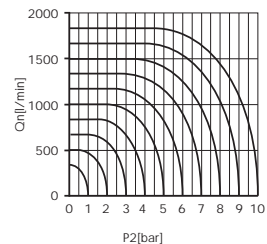
Flow rate orifice 8mm poppet type

kv=15,8 l/min



Flow rate orifice 8mm spool type

kv=12,40 l/min



Impulse Automation Limited
United Kingdom
Company Registration 665193