

Air Pilot Operated Pneumatic Valves

5/2 Way Single & Double Pilot Control Valves G1/8 Ports

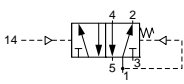
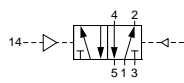
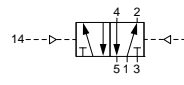
Technical information

Pressure range: 2.5-10 bar
Control pressure: 2.5-10 bar (**port 14 ≥ port 1 pressure)
Temperature range: -15°C...+50°C
Housing: Die-cast and lacquered zinc alloy
Seals: NBR
Lubricant: Not required
Operating medium: 5 micron filtered, lubricated or non-lubricated compressed air

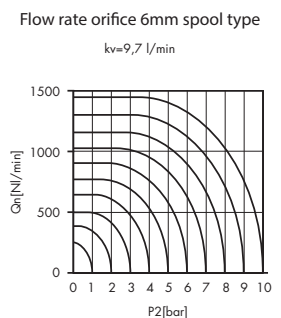
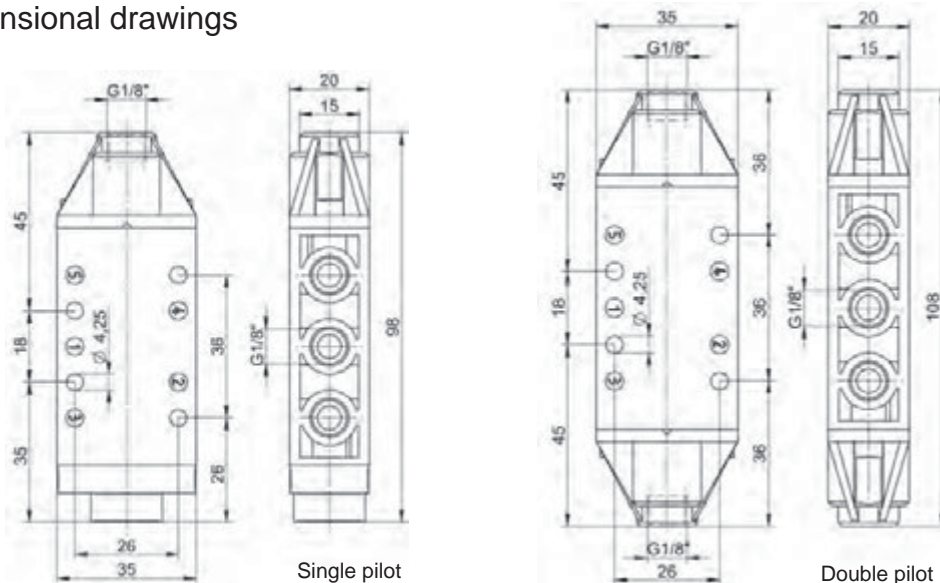


Other information

Ex For ATEX certification use suffix code "EX" for example 76.XXX.XX.XX.EX
 For NPT ports use prefix code "75" for example 75.XXX.XX.XX

Symbol	Description	Type	Orifice	Pilot Ports	Ports	Order code
	5/2 way spring return **	Spool	6mm	G1/8	G1/8	KE.023.71.41
	5/2 way double pilot with priority	Spool	6mm	G1/8	G1/8	KE.023.71.47
	5/2 way double pilot	Spool	6mm	G1/8	G1/8	KE.023.71.42

Dimensional drawings



Impulse Automation Limited
United Kingdom
Company Registration 665193

Information shown in these data sheets are for guidance purposes only, no liability is accepted for any errors or omissions. The designer or user is solely responsible for the safe and proper use of these parts, assemblies or equipment described.