

# CETOP Pneumatic Cylinder

## Type U Through Rod Without Cushioning $\varnothing$ 16mm - 25mm

### Technical information

**Operating pressure:** Double acting  $\varnothing$ 16mm 1.0-10 bar/ $\varnothing$ 20-25mm 0.5-1  
**Temperature range:** -20°C...+70°C  
**Housing/end caps:** Cr-Ni steel/Aluminium  
**Rod:** Cr-Ni steel  
**Seals:** Perbunan  
**Lubricant:** Shell Tellus C10  
**Operating medium:** 5 micron filtered, lubricated or non-lubricated compressed air.

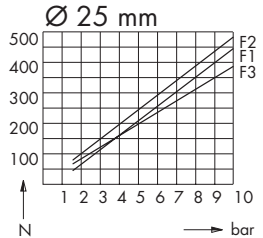
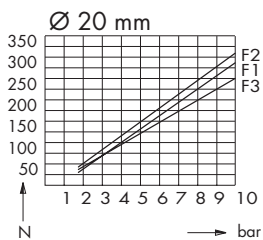
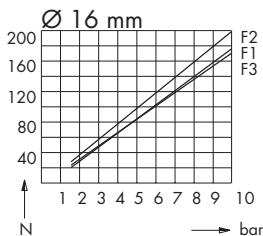


### Other information:

**Ex** For ATEX certification use code "X" for example 26.X.601.XXX  
 Sensors are available for this product, see data sheets TX1002/TX1003.  
 Mountings are available for this product, see data sheets MS1005.

$\varnothing$	A	B	C	D	E	F	G	J	L	L1	SW1	SW2	V	V1
16	17	M16x1.5	22	M6	16	20	M5	3.5	56	38	5	10	8	4
20	20	M22x1.5	24	M8	20	27	G1/8	4	66	44	7	13	10	5
25	22	M22x1.5	28	M10x1.25	22	27	G1/8	4	69	50	9	17	10	8

### Dimensional drawings & ordering information



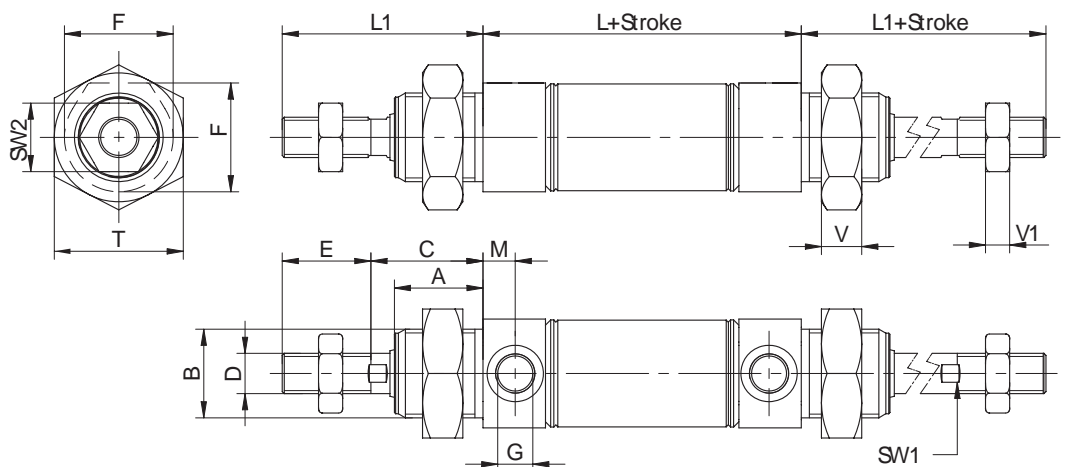
#### Double Acting With Magnetic Piston

Area ratio (due to the reduction of the piston rod section).  
 $\varnothing$ 16-25 7:6

**To order:** 26.601.XXX 16mm bore + stroke  
 27.601.XXX 20mm bore + stroke  
 28.601.XXX 25mm bore + stroke



Non-magnetic versions are also available, for example 2X.60.XXX



**Impulse Automation Limited**  
**United Kingdom**  
**Company Registration 665193**