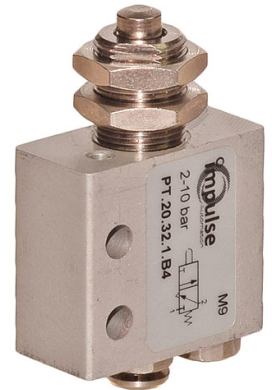


# PulseTech Micro Pneumatic Valves

## Plunger Valves - Neck Nut Mounting

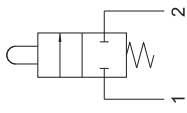
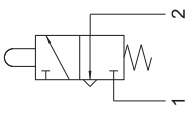
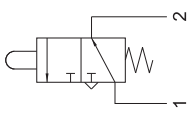
### Technical information

<b>Pressure range:</b>	2-10 bar
<b>Temperature range:</b>	Max. +60°C
<b>Actuation force:</b>	6 N
<b>Orifice/Flow rate:</b>	2.5mm / 100 NI/min
<b>Housing:</b>	Aluminium
<b>Seals:</b>	NBR
<b>Lubricant:</b>	Not required
<b>Operating medium:</b>	5 micron filtered, lubricated or non-lubricated compressed air

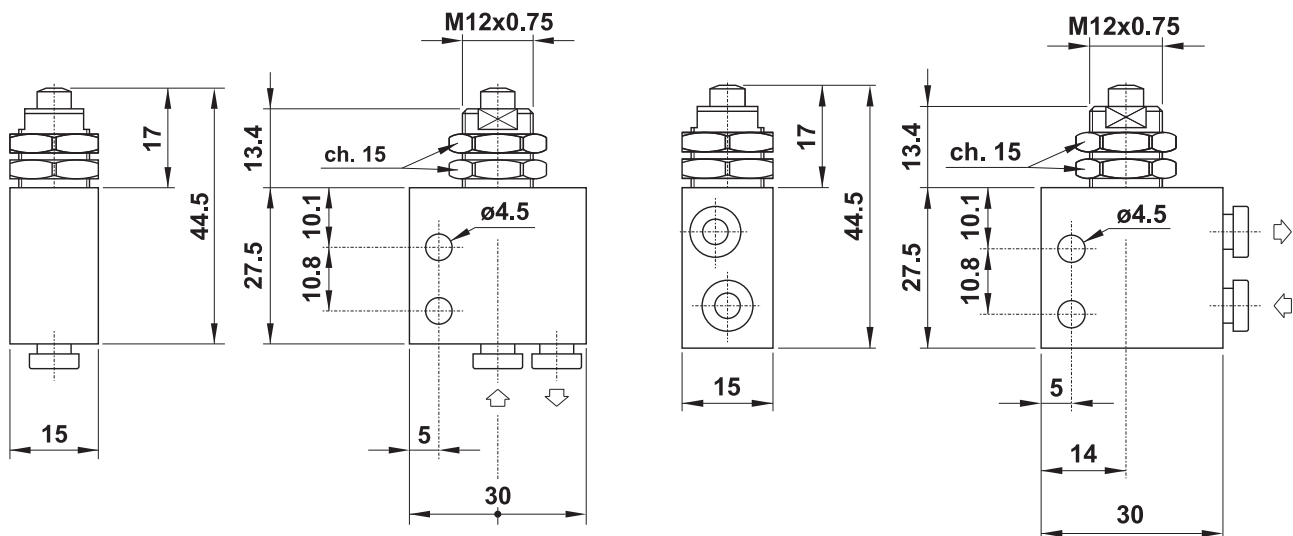


### Other information

Minimum order quantities may apply. Preferred types \*\*  
 See drawings for port orientation. Technical drawings shown with 4mm push-in ports only.

Symbol	Description	Ports	Bottom Ported	Side Ported
	2/2 way spring return to normally closed	4mm push-in	PT.20.22.1.B4 **	PT.20.22.1.S4 **
	2/2 way spring return to normally closed	M5 threaded	PT.20.22.1.B5	PT.20.22.1.S5
	3/2 way spring return to normally closed	4mm push-in	PT.20.32.1.B4 **	PT.20.32.1.S4 **
	3/2 way spring return to normally closed	M5 threaded	PT.20.32.1.B5	PT.20.32.1.S5
	3/2 way spring return to normally open	4mm push-in	PT.20.32.2.B4 **	PT.20.32.2.S4 **
	3/2 way spring return to normally open	M5 threaded	PT.20.32.2.B5	PT.20.32.2.S5

### Dimensional drawings



Impulse Automation Limited  
 United Kingdom  
 Company Registration 665193