

PulseTech Micro Pneumatic Valves

2 & 3 Way Valve Body for Actuators

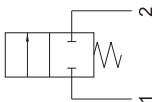
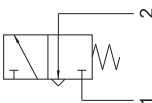
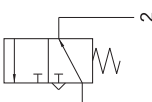
Technical information

Pressure range:	2-10 bar
Temperature range:	Max. +60°C
Actuation force:	6 N
Orifice/Flow rate:	2.5mm / 100 NI/min
Housing:	Aluminium
Seals:	NBR
Lubricant:	Not required
Operating medium:	5 micron filtered, lubricated or non-lubricated compressed air

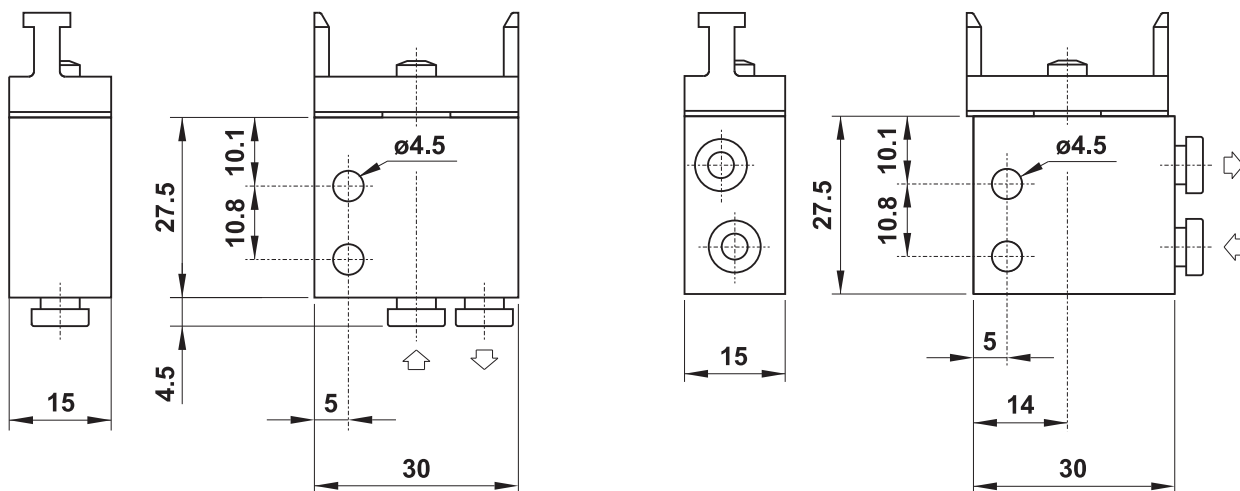


Other information

Minimum order quantities may apply. Preferred types **
See drawings for port orientation. Technical drawings shown with 4mm push-in ports only.
Choose up to two valve bodies per actuator.

Symbol	Description	Ports	Bottom Ported	Side Ported
	2/2 way spring return to normally closed	4mm push-in	PT.00.22.1.B4 **	PT.00.22.1.S4 **
	2/2 way spring return to normally closed	M5 threaded	PT.00.22.1.B5	PT.00.22.1.S5
	3/2 way spring return to normally closed	4mm push-in	PT.00.32.1.B4 **	PT.00.32.1.S4 **
	3/2 way spring return to normally closed	M5 threaded	PT.00.32.1.B5	PT.00.32.1.S5
	3/2 way spring return to normally open	4mm push-in	PT.00.32.2.B4 **	PT.00.32.2.S4 **
	3/2 way spring return to normally open	M5 threaded	PT.00.32.2.B5	PT.00.32.2.S5

Dimensional drawings



Impulse Automation Limited
United Kingdom
Company Registration 665193