

PulseTech Micro Pneumatic Valves

5 Way Valve Body for Actuators

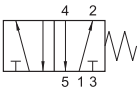
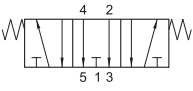
Technical information

Pressure range:	2-10 bar
Temperature range:	Max. +60°C
Actuation force:	6 N
Orifice/Flow rate:	2.5mm / 100 NI/min
Housing:	Aluminium
Seals:	NBR
Lubricant:	Not required
Operating medium:	5 micron filtered, lubricated or non-lubricated compressed air

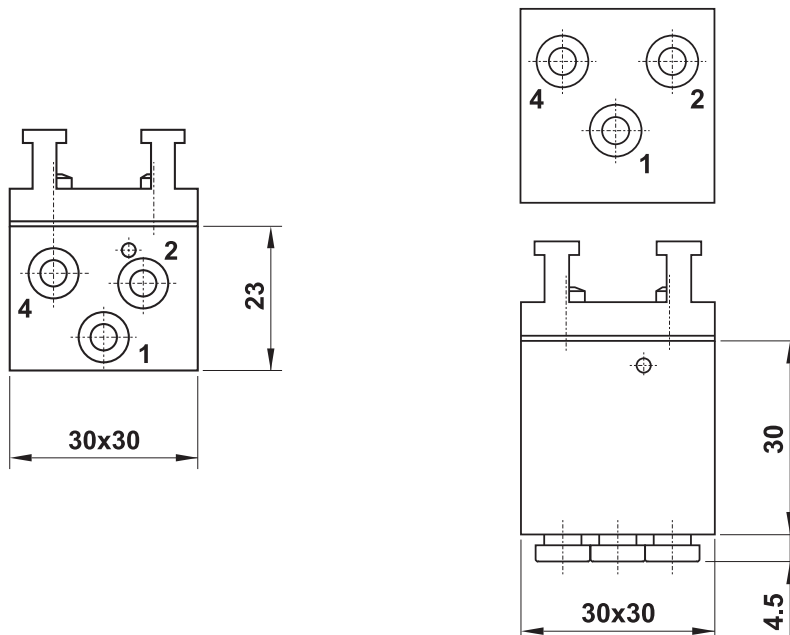


Other information

Minimum order quantities may apply. Preferred types **
 See drawings for port orientation. Technical drawings shown with 4mm push-in ports only.
 Choose up to one valve body per actuator.

Symbol	Description	Ports	Bottom Ported	Side Ported
	5/2 way spring return	4mm push-in	PT.00.54.0.B4 **	PT.00.54.0.S4 **
	5/3 way open centre ports	4mm push-in		PT.00.54.3.S4 **

Dimensional drawings



Impulse Automation Limited
United Kingdom
Company Registration 665193