

Compact Cylinder Mountings

Female Trunnion For Piston Ø 32mm - 100mm

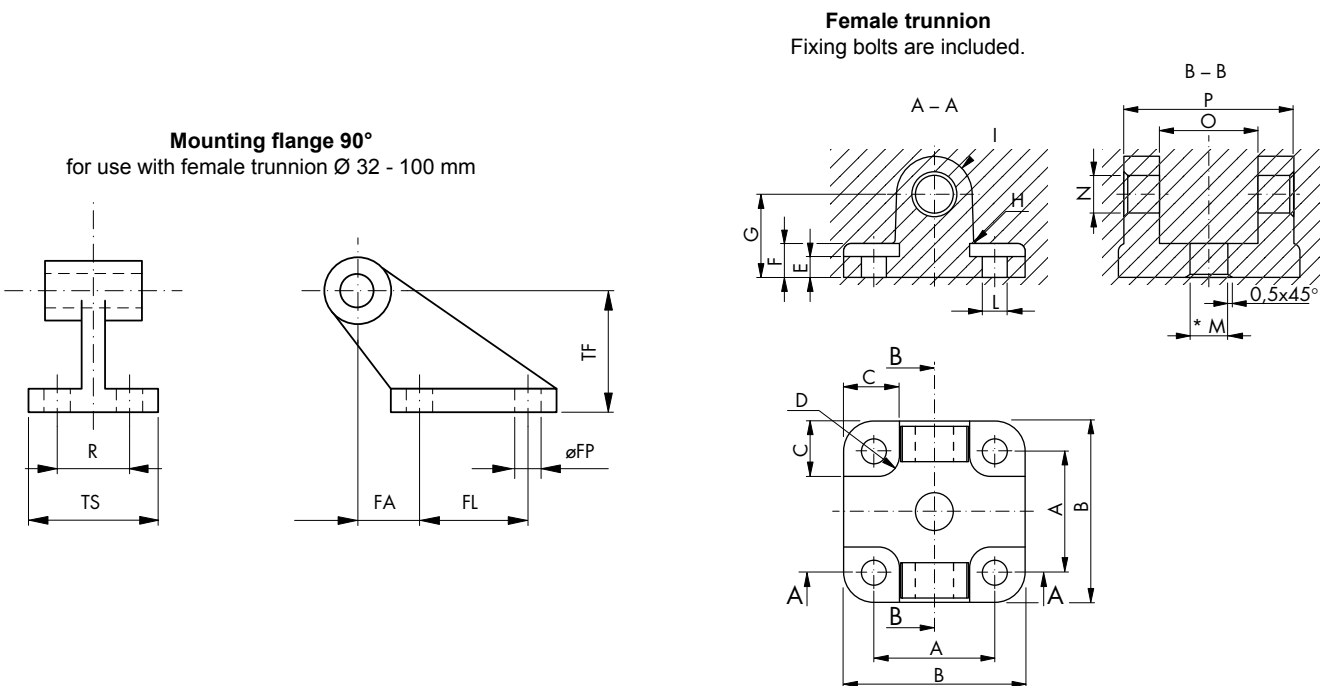
Female Trunnion

Order No.	Ø	A	B	C	D	E	F	G	H	I	L	M	N	O	P
19.001.01	32	32	48	13,5	5,5	5,5	9	22	2,5	10	6,6	14	10	26	45
19.001.02	40	42	58	13,5	5,5	5,5	9	25	2,5	12,5	6,6	14	12	28	52
19.001.03	50	50	66	15,5	7,5	6,5	11	27	2,5	12,5	9	18	12	32	60
19.001.04	63	62	83	18	9	6,5	11	32	4	15	11	18	16	40	70
19.001.05	80	82	102	19	9	10	13	36	4	15	11	23	16	50	90
19.001.06	100	103	123	19	9	10	15	41	4	20	11	28	20	60	110

Mounting Flange 90°

Order No.	Ø	R	TS	FP	FA	FL	TF	N
18.004.01	32	25	41	7	18	20	32	10
18.004.02	40	32	52	9	25	32	45	12
18.004.03	50	32	52	9	25	32	45	12
18.004.04	63	40	63	11	32	50	63	16
18.004.05	80	40	63	11	32	50	63	16
18.004.06	100	50	80	14	40	70	90	20

Dimensional drawings



Impulse Automation Limited
United Kingdom
Company Registration 665193

Information shown in these data sheets are for guidance purposes only, no liability is accepted for any errors or omissions. The designer or user is solely responsible for the safe and proper use of these parts, assemblies or equipment described.