

Heavy Duty

HD 25

Incremental



- Single or Dual output
- Optional high current line driver
- ATEX Certification available for Intrinsically Safe application
- High Resolution Unbreakable Disk
- Industrial Duty Connector
- NEMA 4X / IP67 Rated
- Nickel or Stainless Steel Housing available

HEAVY DUTY CE

NUMBER OF PULSES

0001 / 0025 / 0035 / 0040 / 0050 / 0060 / 0100 / 0120 / 0192 / 0200 / 0240 / 0250 / 0256 / 0300 / 0360 / 0500 / 0512 / 0600 / 0625 / 0720 / 0900 / 1000 / 1024 / 1200 / 1250 / 1440 / 1524 / 1600 / 1800 / 2000 / 2048 / 2500 / 2540 / 3000 / 3048 / 3600 / 4096 / 5000

GENERAL INFORMATION

HARSH-DUTY OPTICAL ENCODER

The HD25 Harsh-Duty Optical Encoder is a compact heavy-duty encoder designed to exceed IP66/IP67 and NEMA 6 enclosure requirements. It is also available in stainless steel that exceeds NEMA 4X and NEMA 6P requirements and is ideal for stringent wash down environments, including those where high pressure steam or caustic chemicals are needed to meet regulatory requirements.

The HD25 features max. 440N Axial and Radial Bearings, -40° to +100°C temperature range and unique labyrinth double-sealed housing, and optional dual "redundant" outputs and is covered by a two-year warranty (one year for bearings). NorthStar's traditional quality, reliability and value are built-in to every HD25 encoder.

Also available in this series, is an Intrinsically Safe version certified to ATEX EEx ia IIB T4 when used with the appropriate IS Barrier. Accessory barriers can be supplied with the encoder.

APPLICATIONS

The HD25 Harsh-Duty Optical Encoder is ideal for machine applications with corrosive environments that demand heavy washdown protection. This compact, special-duty encoder is designed to exceed IP66/IP67 and NEMA 6 enclosure requirements with a PPR range through 5000. ATEX certification is also available for intrinsically safe applications.

- Converting Machinery
- Material Handling
- Packaging Equipment
- Pickling Equipment
- Processing Equipment

Industries

Chemical, Food & Beverage, Oil & Gas, Paper, Steel and any other where a precise encoder is needed to operate in harsh environments.

TECHNICAL DATA mechanical

Housing diameter	67.3 mm
Shaft diameter	3/8" / 10 mm (Solid shaft)
Flange (Mounting of housing)	Square flange
Protection class shaft input (EN 60529)	NEMA 4X or IP67

Doc No: IE0519 Rev: 001	Impulse Automation Limited United Kingdom Company Registration 665193	Page
05-12-2014		1

Heavy Duty

HD 25

Incremental

TECHNICAL DATA mechanical (continued)

Protection class housing (EN 60529)	NEMA 4X or IP67
Shaft load axial / radial	max.: 440 N / 440 N
Max. speed	max. 6000 rpm
Bearing life	max. 5 x 10 ¹¹ revs.
Starting torque typ.	< 1.76 Ncm
Vibration resistance (DIN EN 60068-2-6)	200 m/s ² (5 ... 2000 Hz)
Shock resistance (DIN EN 60068-2-27)	500 m/s ² (11 msec)
Operating temperature	-40 °C ... +100 °C ATEX: -40 °C ... +80 °C
Material shaft	Stainless Steel
Material housing	Hard anodized Aluminum, Nickel, Stainless Steel
Weight	approx. 430 g
Connection	MS, radial M12 connector, radial

TECHNICAL DATA electrical

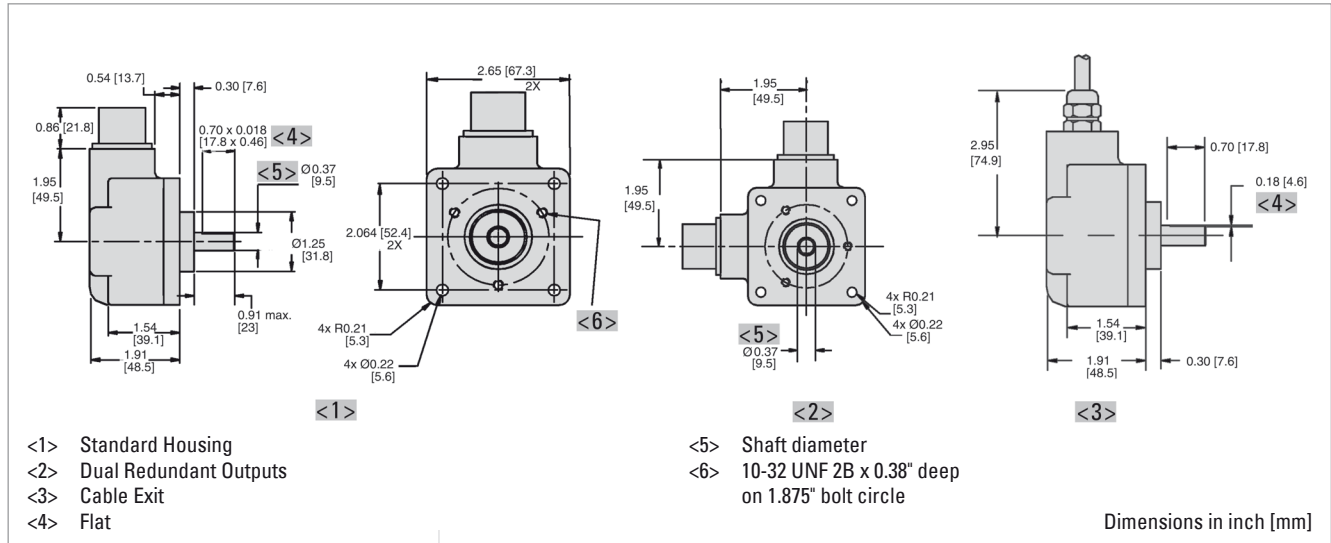
Supply voltage	DC 5 - 26 V ATEX: DC 5 V ATEX: DC 7 - 26 V
Current w/o load typ.	50 mA
Code	Incremental, optical
Max. pulse frequency	125 kHz
Phasing	Incremental signals (A leads B): A leads B by 90° for ccw shaft rotation viewing the shaft clamp end of the encoder
Pulse shape	Square wave

ELECTRICAL CONNECTIONS 6, 7 & 10 Pin MS connector / Cable

Encoder Function	Cable 6 Pin Single Ended		Cable 7 Pin Single Ended		Cable 7 Pin Dif Line Drv w/o Idx		Cable 10 Pin Dif Line Drv w/ Idx		Cable Exit with Seal Wire Color
	Pin	Wire Color	Pin	Wire Color	Pin	Wire Color	Pin	Wire Color	
Sig. A	E	brown	A	brown	A	brown	A	brown	green
Sig. B	D	orange	B	orange	B	orange	B	orange	blue
Sig. Z	C	yellow	C	yellow	--	--	C	yellow	orange
Power +V	B	red	D	red	D	red	D	red	red
Com	A	black	F	black	F	black	F	black	black
Case	--	--	G	green	G	green	G	green	white
N/C	F	--	E	--	--	--	E	--	--
Sig. \bar{A}	--	--	--	--	C	brown/white	H	brown/white	violet
Sig. \bar{B}	--	--	--	--	E	orange/white	I	orange/white	brown
Sig. \bar{Z}	--	--	--	--	--	--	J	yellow/white	yellow

Incremental

DIMENSIONED DRAWINGS



Doc No: IE0519 Rev: 001	Impulse Automation Limited United Kingdom Company Registration 665193	Page 3
05-12-2014		

Incremental

ORDERING INFORMATION

Type	Format	Number of pulses	Shaft Ø ⁷	Output ⁶	Connection ¹	Housing, Tether, Options ^{2,3,4,5}
<input type="checkbox"/>	<input type="checkbox"/>	<input type="checkbox"/>	<input type="checkbox"/>	<input type="checkbox"/>	<input type="checkbox"/>	<input type="checkbox"/>
HD25	3 Bidirectional with Index	1 ... 5000	0 9.52 mm (3/8") 4 10 mm 6 12 mm	2 5-26V in, 5-26V Push-Pull out 3 5-26V in, 5-26V Differential Line Driver out (7272) 4 5-26V in, 5V Differential Line Driver out (7272) 6 5-15V in, 5-15V Differential Line Driver out (4469)	3 7 pin connector 5 10 pin connector D Sealed cable, 0.45 m E Sealed cable, 0.9 m F Sealed cable, 1.8 m G Sealed cable, 3.0 m H Sealed cable, 4.5 m P Sealed cable, 5.0 m	0 No Options 1 Nickel Finish Housing 2 Stainless Steel Housing 3 Redundant Outputs (Dual Connector Housing) 4 Nickel Finish Housing with Redundant Outputs 5 Stainless Steel Housing with Redundant Outputs A Same as "0" with ATEX Typ 1 B Same as "1" with ATEX Typ 1 C Same as "2" with ATEX Typ 1 D Same as "3" with ATEX Typ 1 E Same as "4" with ATEX Typ 1 F Same as "5" with ATEX Typ 1 G Same as "0" with ATEX Typ 2 H Same as "1" with ATEX Typ 2 I Same as "2" with ATEX Typ 2 J Same as "3" with ATEX Typ 2 K Same as "4" with ATEX Typ 2 L Same as "5" with ATEX Typ 2 M Same as "0" with ATEX Typ 3 N Same as "1" with ATEX Typ 3 O Same as "2" with ATEX Typ 3 P Same as "3" with ATEX Typ 3 Q Same as "4" with ATEX Typ 3 R Same as "5" with ATEX Typ 3

¹ Output Code "3" only available with Format Code "2"

² Available ATEX certified options:

ATEX Type 1: 5 V in, 5 V out

ATEX Type 2: 7-26V in, 7-26V out

ATEX Type 3: 7-26V in, 5V out

Note: When selecting ATEX models, ATEX voltages replace those shown in Output Code.

³ Housing/Tether/Options Code "G" to "L" only available with Output Code "2" and "3"

⁴ Housing/Tether/Options Code "M" to "R" only available with Output Code "4"

⁵ Note for Housing with redundant outputs: Simultaneous use of redundant outputs may void ATEX certification. Consult us for details.

⁶ Open Collector Output on request

⁷ Shaft options 9.52 mm and 10 mm with flat

Doc No: IE0519 Rev: 001	Impulse Automation Limited United Kingdom Company Registration 665193	Page
05-12-2014		4