

Pneumatic Air Preparation

Filter G1/4 & G3/8 Ports

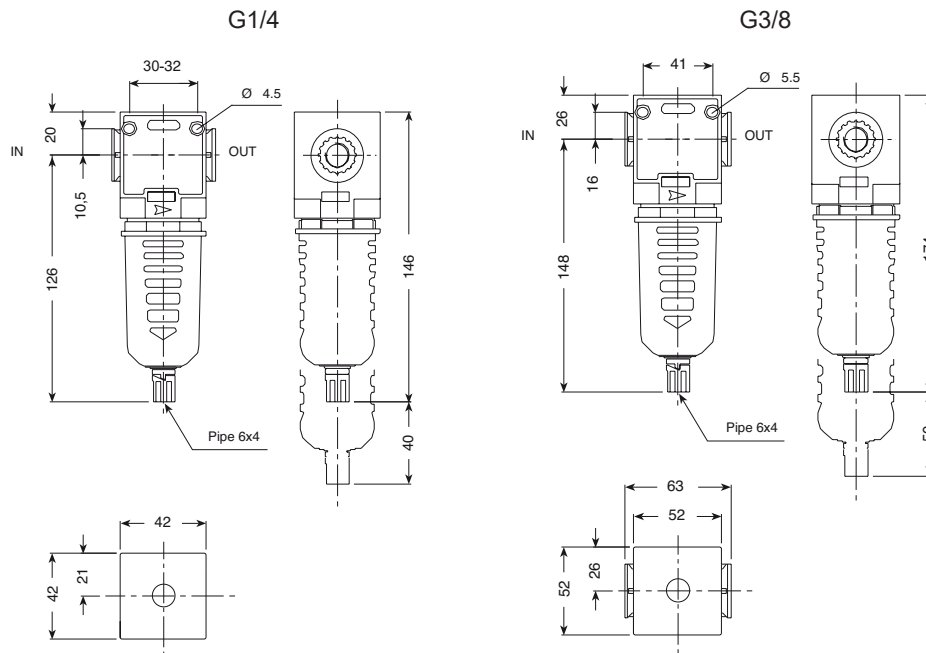
Technical information

Max. pressure: 12.5 bar
Filtration grade: 20 µm
Temperature range: 5 to 55°C
Flow rate (P = 6.3 bar): G1/4 ports 850 NI/min / G3/8 ports 2100 NI/min
Condensate cup capacity: G1/4 ports 22 cc / G3/8 ports 42 cc
Drainage type: Manual / Semi Automatic drain
Material: Transparent toughened Polyamide bowl with outer guard



Description	Ports	Order code
Filter G1/4 ports	G1/4	F4STP
Filter G3/8 ports	G3/8	F3STP

Dimensional drawings



Impulse Automation Limited
United Kingdom
Company Registration 665193