

Pneumatic Air Preparation

Lubricator G1/4 & G3/8 Ports

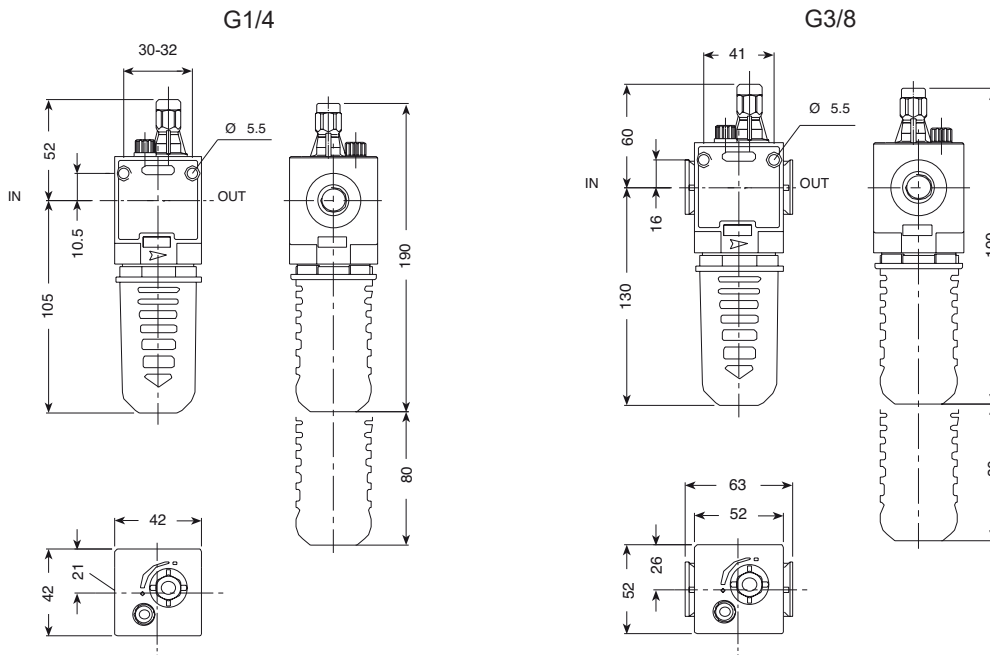
Technical information

Max. pressure:	12.5 bar
Temperature range:	5 to 55°C
Flow rate (P = 6.3 bar):	G1/4 ports 1500 NI/min / G3/8 ports 1700 NI/min
Bowl capacity:	G1/4 ports 42 cc / G3/8 ports 68 cc
Viscosity:	Recommended ISO VG32
Material:	Transparent toughened Polyamide bowl with outer guard



Description	Ports	Order code
Lubricator G1/4 ports	G1/4	L4STP
Lubricator G3/8 ports	G3/8	L3STP

Dimensional drawings



Impulse Automation Limited
United Kingdom
Company Registration 665193