

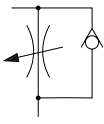
Logic Valves & Flow Control

Exhaust Regulator / Stainless Steel

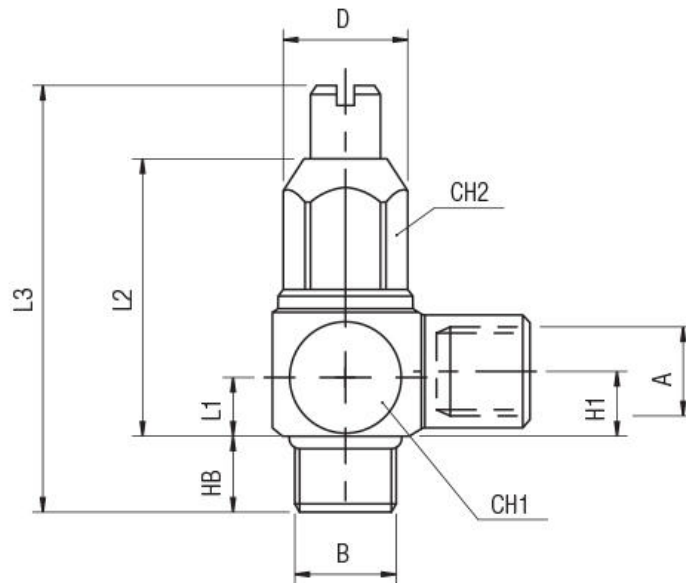
Technical information

Pressure range: 1-10 bar
Temperature range: -10°C...+120°C
Housing material: Stainless steel 316L (1.4404)
Seals: FKM
Operating medium: 5 micron filtered, lubricated or non-lubricated compressed air.
Other information: Minimum order quantities may apply, please ask for further information.



Symbol	Description	A / B	HB	H1	L1	L2	L3	D	CH1	CH2	Order code
	Exhaust regulator G1/8	G1/8	6	8.6	7.6	31	37/43	15	16	13	66070-18-00
	Exhaust regulator G1/4	G1/4	8.5	9	9	34	45/51	17	19	13	66070-14-00

Dimensional drawings



Impulse Automation Limited
United Kingdom
Company Registration 665193