

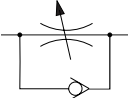
Logic Valves & Flow Control

One-Way Flow Regulator / Stainless Steel

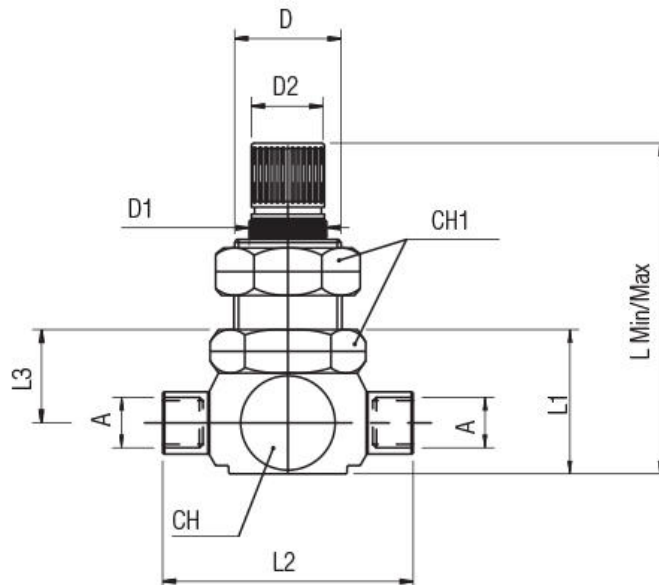
Technical information

Pressure range: 1-10 bar
Temperature range: -10°C...+120°C
Housing material: Stainless steel 316L (1.4404)
Seals: FKM
Operating medium: 5 micron filtered, lubricated or non-lubricated compressed air.
Other information: Minimum order quantities may apply, please ask for further information.



Symbol	Description	A	L Min/Max	L1	L2	L3	CH	CH1	D	D1	D2	Order code
	One-way flow regulator G1/8	G1/8	77/82	36	42	21.5	22	20	15	14	12	66085-18-00
	One-way flow regulator G1/4	G1/4	77/82	36	42	21.5	22	20	15	14	12	66085-14-00
	One-way flow regulator G3/8	G3/8	111/125	54.5	66	36.5	36	32	25	23	20	66085-38-00
	One-way flow regulator G1/2	G1/2	111/125	54.5	66	36.5	36	32	25	23	20	66085-12-00

Dimensional drawings



Impulse Automation Limited
United Kingdom
Company Registration 665193